

PROLINK®

www.prolink2u.com

WIRELESS
NETWORKING

Your Inspirations.
Our Innovations.

PRC5601LW 4G LTE Wireless-AC Router



AC1200 Mbps



The **PROLINK® PRC5601LW** is a **4G LTE Wireless-AC Router** that lets you access and broadcast a high-speed 4G LTE network of up to 150Mbps simply by inserting your 4G SIM card to the device.

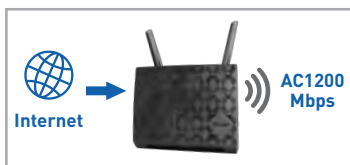
Combined with a 2T2R MIMO Wireless technology, the PRC5601LW can handle wireless data speeds of up to 1200Mbps, ensuring that you get the best web experience to meet your needs.

Furthermore, the PRC5601LW comes with an integrated voice support that allows you to make crystal-clear voice calls using your 4G cellular data connection. Plus, the PRC5601LW has been designed with two RJ11 ports, letting you connect up to two telephones when you need it.



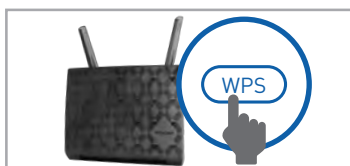
4G Data Connection

- Experience fast 4G LTE speeds of up to 150Mbps with your 4G SIM card.



AC1200 High-Speed Wireless

- 2T2R MIMO Technology delivers excellent throughput and performance. Ideal for video streaming, online gaming or internet surfing.



Simple & Easy Setup

- Supports WPS configuration with 1-Push button.



Automatic Network Selection (Auto-APN)

- Connect to a LTE network automatically without any configurations.

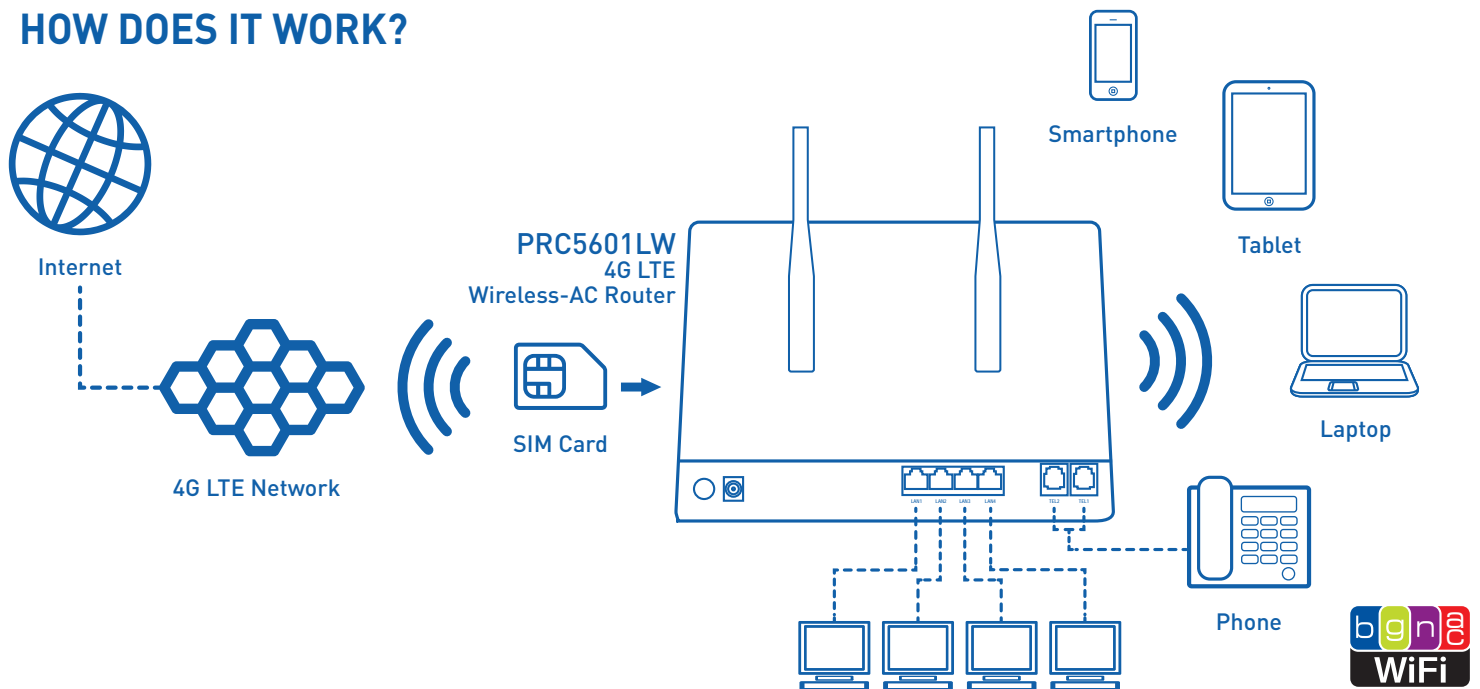
Equalizer and Receive Diversity

- Achieve maximum network throughput via equalizer and receive diversity.

Specifications

WiFi	Standard: IEEE802.11a/b/g/n/ac Frequency: 2412-2462MHz; 5180-5825MHz Output Power: 20dBm (max) Data Rate: 54Mbps in 802.11g, 300Mbps in 802.11n and 866.7Mbps in 802.11ac 2.4G and 5G Concurrent
Receiver Band	LTE TDD: 2600MHz (Band38) Output Power: 23dBm (max)
VOIP	SIP II (RFC3261) : Registrer/ Authentication; Direct IP Call/ Proxy Routed Call; Make Call/ Answer Call/ Drop Call/ Cancel Call; Codec Priority Setting; Call Waiting/ Alternate Call after Call Waiting; Call Transfer on Unattended; Call Forward on Busy/Always/No Answer; Hold Call/ Consultation Call (Dial another call after hold); Off Hook Alarm Setting; Speed Dial; Dial Plan; Hot Line; DND - Do not disturb Speech : G711 μ/A-law, G729A/AB, G.723.1(6.3/5.3 kbps); G711-ulaw; G711-alaw; G729; G723; G726-16k; G726-24kVoice; G726-32k; G726-40k; GSM-FR; iLBC; G722 Processing : Line Echo Cancellation; Voice Activity Detection (VAD); Comfort Noise Generation (CNG); Packet Loss Concealment; Adaptive Jitter Buffer; Auto Gain Control; 3-way conference - local mixing Fax : FAX/Modem tone detection and passthrough over G711; T.38 Fax Relay
Interface	USB 3.0 port, WPS/WiFi button, Reset button, On/Off button, AC Input, 2 x RJ-11 port, 4 x RJ-45 LAN port, 2 x WiFi/4G antenna, SIM card slot
Antenna	External LTE 5dBi Single-band Antenna x 2pcs; Internal WiFi 3dBi Dual-band Antenna x 2pcs
LED	Power, WiFi Status, Internet, LTE, LAN, WPS, USB and VOIP
Power Adapter	Input: 100~240V, 50Hz~60Hz; Output: 12VDC / 1.5A
Environment	Operating Temperature: -0 to 40°C; Storage Temperature: -40 to 70°C; Humidity: 10% ~ 90%
Dimensions	199.9mm x 38mm x 150mm (L x W x H)
Weight	390g

HOW DOES IT WORK?



Authorised Distributor/ Reseller:

Find us on Facebook

<http://www.facebook.com/global.prolink>

Compatible with:



System Requirements:
Windows XP/Vista/7/8/8.1

PROLINK® is a trademark of Fida International (S) Pte Ltd and is manufactured under its authority. Microsoft®, Windows®, Windows® 98SE/ME/2000/XP/Vista/7/8 are either registered trademarks or trademarks of Microsoft Corporation. Mac and the Mac logo are trademarks of Apple, Inc., registered in the U.S. and other countries. Linux® is a registered trademark of Linus Torvalds and Linux penguin "Tux" created by Larry Ewing and The Gimp. All other brands, products, services, logos and company names mentioned herein are trademarks of their respective owners. All specifications, designs and contents are subjected to changes without prior notice. Images are for demonstration and may vary from actual products. © Copyright 2015. PROLINK® All rights reserved.

