

QUICK START GUIDE

MBR95



What's In The Box



Wireless N Portable Router



AC Power Supply



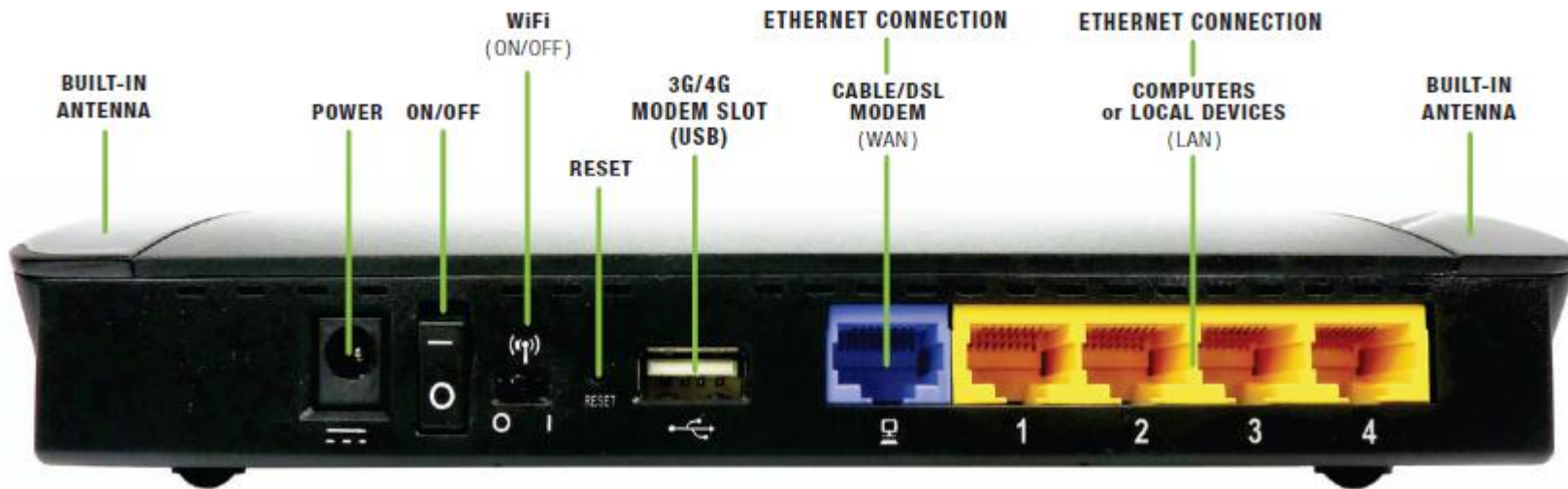
Quick Start Guide

cradlepoint

to receive support, you must register your product: www.cradlepoint.com/portal

SETTING UP THE ROUTER

- 1) Plug the power supply into an electrical outlet.
- 2) Connect the power supply to the MBR95 and turn on "I".
- 3) Connect a modem: USB Wireless Broadband Data Modem with Active Subscription, or a Cable, DSL, Satellite, T1, or T3 Ethernet Modem.



CONNECTING YOUR COMPUTER

After you connect your modem to the router, you're now ready to connect to the CradlePoint MBR95 WIFI.

802.11n antennas provide up to 350 feet of range from the CradlePoint router to your connected computers or WIFI-enabled devices.

Find your operating system and follow the connection steps.

Find your default password on the bottom of your router.

NOTE: If you are asked for an "8-digit PIN", click **CONNECT USING A SECURITY KEY** and enter your **eight character default password** found on the bottom of your router.

MAC OSX



- 1) Open your wireless connection list by clicking the AIRPORT wireless icon on your menu bar

You'll see a list of available wireless networks

- 2) Click on the MBR95-xxx
- 3) Enter Default Password

WINDOWS 7



- 1) Click the NETWORK CONNECTION icon in the lower right hand corner taskbar.

You'll see a list of available wireless networks

- 2) Click MBR95-xxx
- 3) Enter Default Password
- 4) Click CONNECT

WINDOWS VISTA



- 1) Click START
- 2) Hover over CONNECT TO
- 3) Click WIRELESS NETWORK CONNECTION
You'll see a list of available wireless networks
- 4) Click MBR95-xxx
- 5) Enter Default Password
- 6) Click CONNECT

NOTE: If you are asked for an "8-digit PIN", see note on page 3.

WINDOWS XP



- 1) Click START
- 2) Hover over CONNECT TO
- 3) Click WIRELESS NETWORK CONNECTION
You'll see a list of available wireless networks
- 4) Click MBR95-xxx
- 5) Enter Default Password
- 6) Click CONNECT

FINDING YOUR PASSWORD

Your unique default password is shown on the product label on the bottom of your router. It is the last eight characters of your MAC Address.

You will be asked for this password when you connect a new device to the WiFi network or log into the administration pages.

The default password provides WiFi security out-of-the-box.



Find this label on the bottom of your router

For additional information, visit: www.cradlepoint.com/MBR95

© 2010 CradlePoint, Inc. All rights reserved. CradlePoint is not responsible for omissions or errors in typography or photography. CradlePoint, WiPipe™, and the WiPipe logo are trademarks of CradlePoint, Inc. in the US and other countries. Other trademarks are property of their respective owners.



USING THE FIRST TIME SETUP WIZARD

The First Time Setup Wizard will help you customize the name of your wireless network, change passwords to something you choose, and establish an optimal WiFi security mode. The MBR95 comes with a unique password creating built-in WiFi Security, which prevents unauthorized users from connecting to your WiFi network.

- 1) Open a browser window and type "**cp**" or "**192.168.0.1**" in the address bar. Press enter/return.
- 2) When prompted for your password, type the **eight character Default Password** found on product label.
- 3) When you log-in for the first time, you will be automatically directed to the **FIRST TIME SETUP WIZARD**.
- 5) STEP 1/4: If you choose, you can change the router's **DEFAULT ADMINISTRATOR PASSWORD**. Then, select your **TIME ZONE**. Click **NEXT**.
- 7) STEP 2/4: CradlePoint recommends you customize your WiFi Network Name. Type in your personalized Network name here. You can also enable the Guest Network feature (see description on page 7).

Choose the **WIFI SECURITY LEVEL** that best fits your needs: **POOR** for **WEP**, **BETTER** for **WPA or WPA2** and **BEST** for **WPA2 Only**. (Make sure your PC or other devices support the mode you choose). Click **NEXT**.

- 8) If you are using a 4G WiMAX modem, you will want to establish the Realm for your carrier. This setting ensures that the modem, when attached to the router, will properly connect to your carrier's wireless broadband service. Select your carrier from the drop-down menu. Click **NEXT**.
- 9) Choose a personalized **WIRELESS SECURITY PASSWORD**. This password will be used to reconnect your devices to the router once the security settings have been saved. Click **NEXT**.
- 10) STEP 4/4: Review the details and record your wireless network name, administrative and wireless WPA password. Click **APPLY** to save the settings and update them to your router.

If you are currently using the MBR95 WiFi network, reconnect your devices to the network using the new wireless network name and security password.

MODEM SUPPORT & UPDATES (FIRMWARE)

CradlePoint regularly makes new modem support and performance enhancements available for our products in a software package called “firmware”. Updating firmware ensures your Wireless N Portable Router is ready for today and tomorrow’s technology.

To Update Your Firmware, Follow The Steps Below:

- 1) Connect your computer to the MBR95 via its WiFi network broadcast or an Ethernet cable. (see pages 3 & 4)
- 2) Open a browser window and type “**192.168.0.1**” in the address bar. Press enter/return.
- 3) Enter your password to login. **Your unique password is either the administrator password you set earlier or the default password found on the bottom label** of the MBR95.
- 4) Select **SYSTEM SETTINGS** on the top navigation bar, then **SYSTEM SOFTWARE** in the drop down menu.
- 5) Find the **FIRMWARE UPGRADE** section. This will display the current firmware version that is installed and indicate if updated firmware is available.
- 6) Click **AUTOMATIC (Internet)** if new firmware is available. The router will download and install the firmware and automatically reboot itself. A status monitor will appear and indicate when this process is complete.

To Purchase Extended Support, register at www.cradlepoint.com/portal or call **208.908.4348**

SPECIAL FEATURES of the MBR95

GUEST WiFi NETWORK

Your router can make two WiFi networks: one *private* and one *public*.

Guests on the public network have full, secure access to the internet - but are restricted from accessing the router administration or connected devices on private network.

Enable the Guest Network in Step 2 of the First Time Setup Wizard. It will appear as "Guest" in your available networks list.

WiFi as WAN

Public WiFi networks aren't very secure, but are generally free. The MBR95 can receive a WiFi signal and use it to create internet access, allowing you to securely connect up to 16 devices using the MBR95's security features.

Enable this feature by logging in to your router (see steps 1 & 2 on page 5) and selecting **INTERNET** on the top navigation bar and then **WiFi as WAN Settings** in the dropdown menu. Click **ENABLE** and select the WiFi network you'd like to use as your Internet Connection.

RESET

To restore the router to its factory settings, press and hold the **RESET** button on the side of the router for ten seconds. Reset returns the login to **DEFAULT PASSWORD** found on the bottom of your router. This is useful if you have changed your WiFi security settings and can no longer access the internet.

Mounting Procedure

There are three ways for mounting the CEP:

1. Wall Mounting
2. Locate a high position on the wall that is free of obstructions.
3. Connect two screws in the wall (T3.5x16(mm) (2 in) parts, Do not screw the screws all the way onto the wall

Important

Make sure that the screws are securely fixed to the wall and strong enough to hold the weight of the CPE.

Notice:

Only this configuration is evaluated and can be used with the MBR 95 Product

Product	Brand name	Model name	FCC ID	IC	
USB port (CDMA + WIMAX)	SPRINT	CMU-300	TARCMU-300		3G/4G Card

Federal Communication Commission Interference Statement

This equipment has been tested and found to comply with the limits for a Class B digital device, pursuant to Part 15 of the FCC Rules. These limits are designed to provide reasonable protection against harmful interference in a residential installation. This equipment generates, uses and can radiate radio frequency energy and, if not installed and used in accordance with the instructions, may cause harmful interference to radio communications. However, there is no guarantee that interference will not occur in a particular installation. If this equipment does cause harmful interference to radio or television reception, which can be determined by turning the equipment off and on, the user is encouraged to try to correct the interference by one of the following measures:

- Reorient or relocate the receiving antenna.
- Increase the separation between the equipment and receiver.
- Connect the equipment into an outlet on a circuit different from that to which the receiver is connected.
- Consult the dealer or an experienced radio/TV technician for help.

FCC Caution: Any changes or modifications not expressly approved by the party responsible for compliance could void the user's authority to operate this equipment. This device complies with Part 15 of the FCC Rules. Operation is subject to the following two conditions: (1) This device may not cause harmful interference, and (2) this device must accept any interference received, including interference that may cause undesired operation.

IMPORTANT NOTE:
FCC Radiation Exposure Statement:

This equipment complies with FCC radiation exposure limits set forth for an uncontrolled environment. This equipment should be installed and operated with minimum distance 20cm between the radiator & your body.

This transmitter must not be co-located or operating in conjunction with any other antenna or transmitter.

The availability of some specific channels and/or operational frequency bands are country dependent and are firmware programmed at the factory to match the intended destination. The firmware setting is not accessible by the end user.

Industry Canada statement

This device complies with RSS-210 of the Industry Canada Rules. Operation is subject to the following two conditions: (1) This device may not cause harmful interference, and (2) this device must accept any interference received, including interference that may cause undesired operation.

Ce dispositif est conforme à la norme CNR-210 d'Industrie Canada applicable aux appareils radio exempts de licence. Son fonctionnement est sujet aux deux conditions suivantes: (1) le dispositif ne doit pas produire de brouillage préjudiciable, et (2) ce dispositif doit accepter tout brouillage reçu, y compris un brouillage susceptible de provoquer un fonctionnement indésirable.

IMPORTANT NOTE:

Radiation Exposure Statement:

This equipment complies with IC radiation exposure limits set forth for an uncontrolled environment. This equipment should be installed and operated with minimum distance 20cm between the radiator & your body.

NOTE IMPORTANTE: (Pour l'utilisation de dispositifs mobiles)

Déclaration d'exposition aux radiations:

Cet équipement est conforme aux limites d'exposition aux rayonnements IC établies pour un environnement non contrôlé. Cet équipement doit être installé et utilisé avec un minimum de 20 cm de distance entre la source de rayonnement et votre corps.