

### **Frequency, Bandwidth, and Channels**

- 2.4 ~ 2.4835 GHz Frequency Band
- 13 Channels
- Maximum 3 Non-Overlapped Channels
- 25 MHz Bandwidth Per Channel

### **Transmitter Output Power**

- Output Power: 14 dBm  $\pm$  1 dB

### **Wireless Coverage**

- Up to 500m

### **Receiving Sensitivity**

- $\leq$  -82 dBm @ 11 Mbps (DSSS/CCK)
- $\leq$  -68 dBm @ 54 Mbps (OFDM)

## **🔍 Software Specifications**

### **Security Mechanism**

- 64-/128-Bit WEP Key
- AES-CCM Authentication Mode (driver update)
- WPA Support (driver update)
- LEAP/PEAP Support (firmware upgrade)

### **Authentication Mechanism**

- Open Authentication (Default)
- Shared-Key Authentication

### **Operating System**

- Microsoft® Windows® 98SE/ME/2000/XP

## >>> 1.4 System Requirements

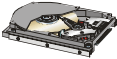
Before installing the MP54G2, your PC should meet the following:



Desktop/notebook PC with an available MiniPCI slot.



Windows® 98SE/ME/2000/XP operating system.



Minimum 5M bytes free disk space for installing the driver and utilities.



CD-ROM drive, double speed or higher.

## >>> 1.5 Package Contents

Unpack the package and check all the items carefully. If any item contained is damaged or missing, please contact your local dealer as soon as possible. Also, keep the box and packing materials in case you need to ship the unit in the future. The package should contain the following items:



One Wireless 11g MiniPCI Card - **MP54G2**.



One Quick Installation Guide.

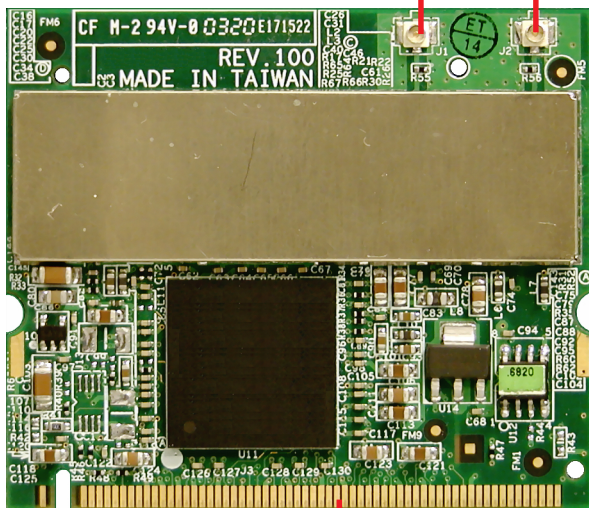


One Installation CD including drivers, utilities, and the manuals.

## >>> 1.6 Product View

### *External antenna connectors*

*Connect to external antennas for enhanced data transmission and reception. The external antennas are well designed on the desktop or notebook computers.*



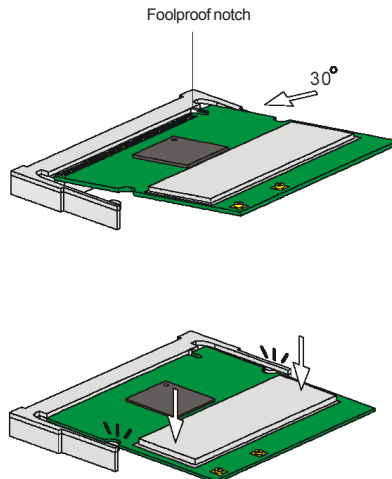
*Golden Finger*

# 2 Hardware Installation

The following diagrams provide you a basic installation for the MP54G2, including how to install and remove the MiniPCI card. The instruction below is suitable for most computers with MiniPCI slot. For more information about the MiniPCI module, please refer to your computer's manual.

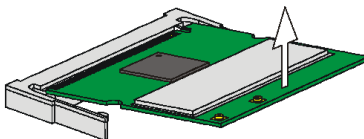
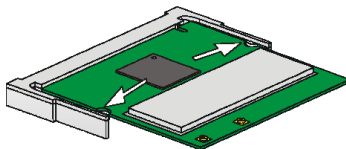
## >>> 2.1 Installing the MP54G2

1. Locate the Mini PCI slot on the mainboard.
2. Place the MP54G2 over the MiniPCI slot (at an angle of 30 degrees). Then, gently insert it into the slot until the golden finger of the card gets fully inserted.
3. Press down the card, and the retaining clips (on two sides of the slot) will lock onto the notches of the card.



## >>> 2.2 Removing the MP54G2

1. Locate the MiniPCI slot with MP54G2 installed.
2. Press the retaining clips outwards, and the card should bound upwards slightly after being released from the slot.
3. Remove the card from the MiniPCI slot carefully.



# 3

## Software Installation

This chapter describes the procedures of installing the driver and utility. Follow the instruction step by step to finish the installation. If you use Windows® 98SE/ME, please prepare the Windows® Setup CD at hand before installing the driver; because the system will ask you to insert the Setup CD to copy files during the installation.

Please **NOTE** that the MP54G2 should be installed into your computer before installing the driver and utility. Then, the operating system will detect a new device and start to configure the new device. Click **Cancel** here to start installation from the InstallShield Wizard.

**Tip:** The wireless LAN adapter should be installed into your PC before installing the driver and utility.



Click

**Step 1.** Insert the software CD into your CD-ROM drive, and the Setup program should launch automatically.

If the Autorun program doesn't launch automatically, click **Start** at the taskbar and select **Run...** Type **E:\setup.exe** (where **E** is your CD-drive) in the Open box and click **OK** to launch the Setup program manually.

The main screen of Setup program will appear as below. Click the **Install Software** button.



**Step 3.** The welcome screen of InstallShield Wizard appears. Click *Next*.

Read and accept the License Agreement; then, click *Next*.

In the following window, enter the user's information (*User Name*, *Organization*) in the respective fields; then, click *Next*.

**Step 2.** Click *Install* and the program will copy the necessary files to the system. The progress indicator shows the installing status.

If you use Windows 98SE/ME, you may be asked to insert the Windows Setup CD during the installation. Please insert the Setup CD by the on-screen instruction to continue the installation.

**Step 4.** Click *Finish* when the installation is completed. The **MSI Wireless LAN icon\*** will appear in the status area.



*MSI Wireless LAN icon*