

REALTEK

RTL8191RU

802.11b/g/n RTL8191RU USB module User's Manual

Rev. 1.0
21 August 2009



Realtek Semiconductor Corp.

No. 2, Innovation Road II, Hsinchu Science Park, Hsinchu 300, Taiwan

Tel.: +886-3-578-0211. Fax: +886-3-577-6047

www.realtek.com.tw

COPYRIGHT

©2009 Realtek Semiconductor Corp. All rights reserved. No part of this document may be reproduced, transmitted, transcribed, stored in a retrieval system, or translated into any language in any form or by any means without the written permission of Realtek Semiconductor Corp.

DISCLAIMER

Realtek provides this document “as is”, without warranty of any kind, neither expressed nor implied, including, but not limited to, the particular purpose. Realtek may make improvements and/or changes in this document or in the product described in this document at any time. This document could include technical inaccuracies or typographical errors.

TRADEMARKS

Realtek is a trademark of Realtek Semiconductor Corporation. Other names mentioned in this document are trademarks/registered trademarks of their respective owners.

USING THIS DOCUMENT

This document is intended for the software engineer's reference and provides detailed programming information.

Though every effort has been made to ensure that this document is current and accurate, more information may have become available subsequent to the production of this guide. In that event, please contact your Realtek representative for additional information that may help in the development process.

Table of Contents

1. GENERAL DESCRIPTION.....	4
2. GENERAL FEATURES	5
3. BLOCK DIAGRAM	7
4. PRODUCT SPECIFICATIONS.....	8
4.1. UNIVERSAL SERIAL BUS 2.0 PIN ASSIGNMENT.....	8
4.2. MECHANICAL	8
4.3. ENVIRONMENTAL	8
4.3.1. <i>Operating</i>	8
4.3.2. <i>Storage</i>	8
4.4. FUNCTIONAL SPECIFICATIONS	9
4.5. WARNING	9
4.5.1 <i>Federal Communication Commission Interference Statement</i>	9
4.5.2 INDUSTRY CANADA STATEMENT.....	11
4.5.3 NCC警語.....	12

List of Tables

TABLE 1. UNIVERSAL SERIAL BUS PIN ASSIGNMENT.....	8
TABLE 2. FUNCTIONAL SPECIFICATIONS	9

List of Figures

FIGURE 1. SINGLE BAND 11N APPLICATION DIAGRAM	7
FIGURE 2. RTL8191RU USB MODULE MECHANICAL SPECIFICATION.....	8

1. General Description

The Realtek RTL8191RU USB module is a highly integrated MIMO wireless LAN (WLAN) used for high speed wireless local network access. The card is built with a MAC and 1T2R capable RF/baseband single chip RTL8191RU.

The RTL8191RU USB module implements multiple input, multiple output (MIMO) orthogonal frequency division multiplexing (OFDM) with 1 transmit and 2 receive paths and is compatible with 802.11n Draft specification 2.0. Other features include two spatial streams transmission, Long guard interval (GI) of 800ns, spatial spreading, and transmission over 20 MHz and 40 MHz bandwidth. Moreover, RTL8191RU provides one spatial stream space-time block code (STBC) to extend the range of transmission. At the receiver, extended range and good minimum sensitivity is achieved by having receiver diversity up to 2 antennas. As the recipient, the RTL8191RU USB module also supports explicit sounding packet feedback that helps senders with beamforming capability.

For legacy compatibility, direct sequence spread spectrum (DSSS), complementary code keying (CCK) and OFDM baseband processing are included to support all 802.11b, and 802.11g data rates. Differential phase shift keying modulation schemes, DBPSK and DQPSK with data scrambling capability, are available along with complementary code keying to provide the data rates of 1, 2, 5.5 and 11Mbps with long or short preamble. The high speed FFT/IFFT paths, combined with BPSK, QPSK, 16QAM, and 64QAM modulation of the individual subcarriers and rate compatible punctured convolutional coding with coding rate of 1/2, 2/3, 3/4, and 5/6, provides the maximum data rate of 54 Mbps and 300 Mbps for IEEE 802.11g and 802.11n MIMO OFDM respectively.

The RTL8191RU USB module supports 802.11e for multimedia applications, 802.11i for security, and 802.11n for enhanced MAC protocol efficiency. Using packet aggregation techniques such as A-MPDU with BA and A-MSDU, protocol efficiency is significantly improved. Power saving mechanisms such as U-APSD, APSD, and MIMO power saving reduces the power wasted during idle time, and compensates for the extra power required to transmit MIMO OFDM. The RTL8191RU USB module provides simple legacy and 20Mhz/40Mhz co-existence mechanisms to ensure backward and network compatibility.

2. General Features

General

- Operate at ISM frequency bands (2.4GHz)
- IEEE standards support: IEEE 802.11b, 802.11g, draft 802.11n
- Universal Serial Bus 2.0
- Enterprise level security which can apply WPA2 certification
- 1 transmitter and 2 receivers allow data rates supporting up to 300 Mbps downstream and 150 Mbps upstream PHY rates.
- Full-featured software utility for easy configuration and management
- Power savings features and low power consumptions for mobile powered applications
- ROHS compliance

Host Interface

- Universal Serial Bus 2.0 specification

Standards supported

- IEEE 802.11b/g/n compatible WLAN
- 802.11e QoS Enhancement (WMM, WMM-SA Client mode)
- 802.11i (WPA, WPA2). Open, shared key, and pair-wise key authentication services.
- Cisco Compatible Extensions (CCX4)CCX

MAC Features

- Frame aggregation increase MAC efficiency (A-MSDU, A-MPDU)
- Low latency Immediate High-Throughput Block Acknowledgement (HT-BA)
- Long NAV for media reservation with CF-End for NAV release
- PHY-level spoofing to enhance legacy compatibility
- MIMO power saving mechanism
- Channel management and co-existence
- Multiple BSSID feature allowing RTL8191RU to assume multiple MAC identity when used as wireless bridge
- Supports Wake-On-WLAN via Magic Packet and wake-up frame
- TXOP SIFS bursting guarantees multimedia bandwidth.

PHY Features

- IEEE 802.11n draft 2.0 MIMO OFDM
 - 1 transmitter and 2 receivers (1T2R).
 - 20MHz and 40MHz bandwidth transmission.
 - Long Guard Interval (800ns).
 - 1 spatial stream STBC transmission for extended coverage.
 - Sounding packet.
- DSSS with DBPSK and DQPSK, CCK modulations with long and short preamble.
- OFDM with BPSK, QPSK, 16QAM, 64QAM, and 256QAM modulations. Convolution coding rate: 1/2, 2/3, 3/4, and 5/6.
- Maximum data rate 54Mbps in 802.11g and 150Mbps in 802.11n.
- OFDM receive diversity with MRC using up to 4 receive paths. Switch diversity used for DSSS/CCK.
- Hardware antenna diversity.
- Selectable digital transmit and receiver FIR filters
- Programmable scaling in transmitter and receiver to trade quantization noise against increasing probability of clipping.
- Fast receiver automatic gains control (AGC).

3. Block Diagram

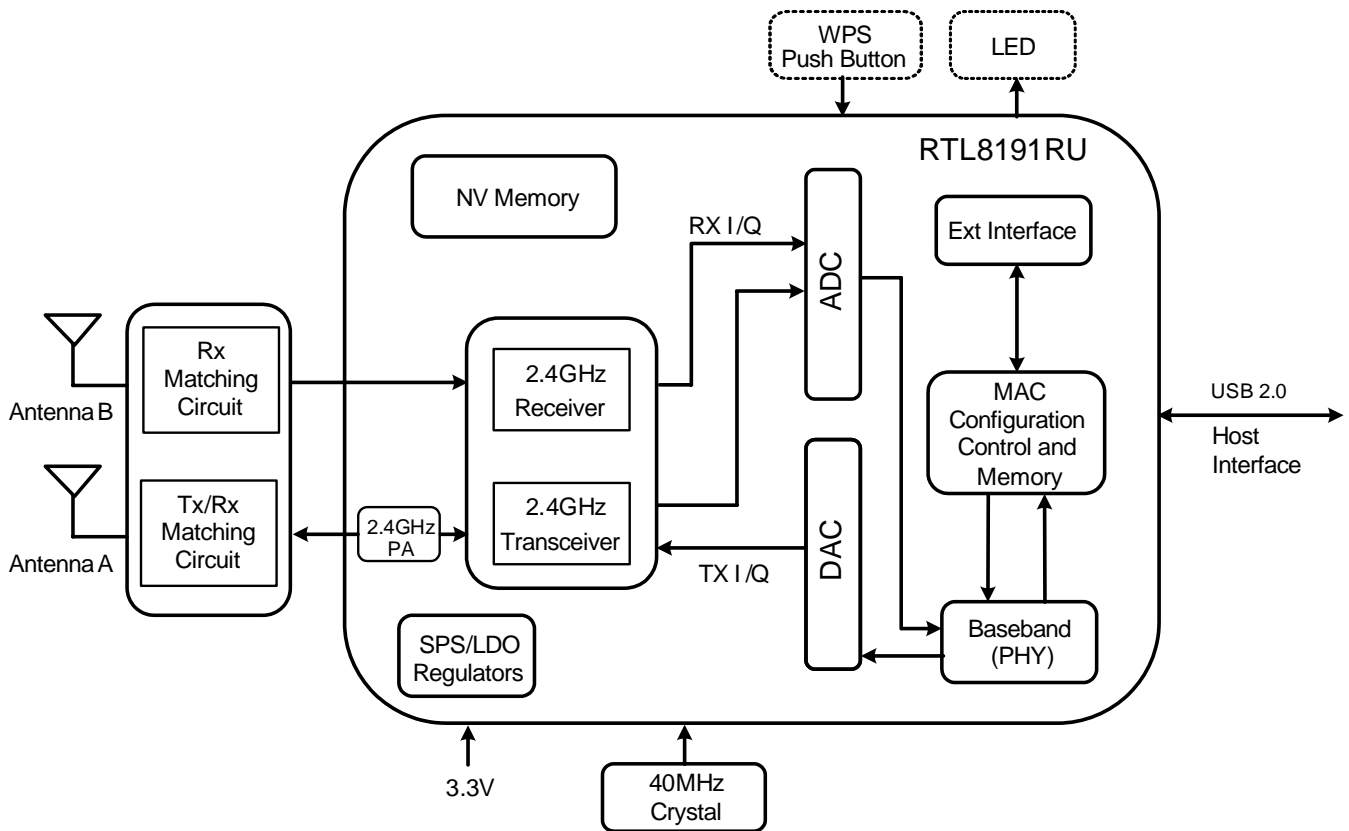


Figure 1. Single Band 11n Application Diagram

4. Product specifications

4.1. Universal Serial Bus 2.0 PIN ASSIGNMENT

PIN#	Pin Name		PIN#	Pin Name	
1	+5.0 V	YES	2	USB_D-	YES
3	USB_D+	YES	4	GND	YES

Table 1. Universal Serial Bus Pin Assignment

4.2. Mechanical

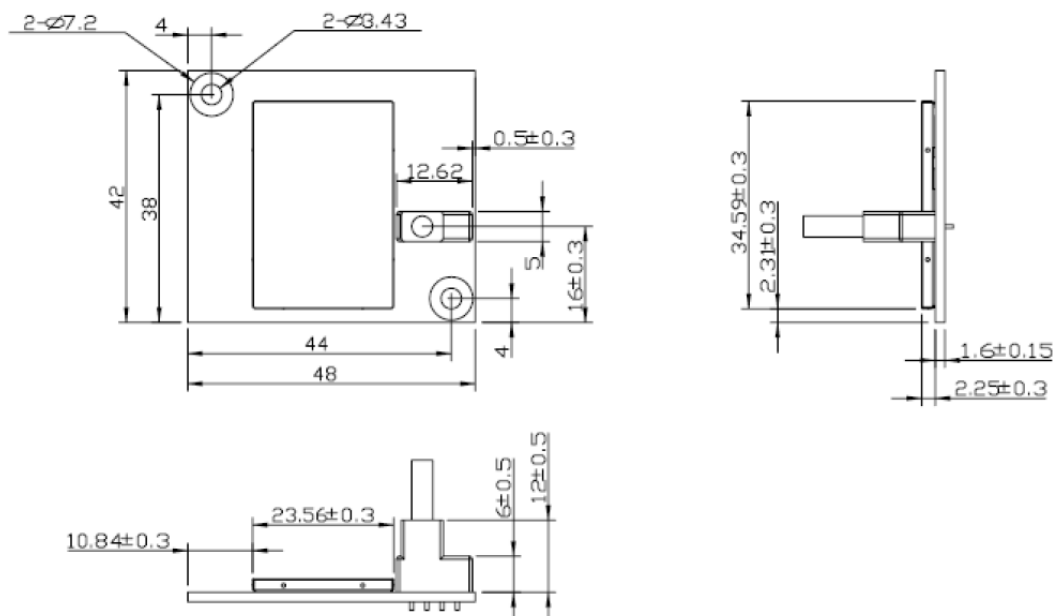


Figure 2. RTL8191RU USB module Mechanical Specification

4.3. Environmental

4.3.1. Operating

Operating Temperature: 0 to 70 °C
 Relative Humidity: 5-90% (non-condensing)

4.3.2. Storage

Temperature: -55 to 125 °C
 Relevant Humidity: 5-95% (non-condensing)

4.4. Functional Specifications

Table 2. Functional Specifications

POWER SUPPLY	DC 5V from host equipment
MODULATION TYPE	CCK, DQPSK, DBPSK for DSSS 64QAM, 16QAM, QPSK, BPSK for OFDM
MODULATION Technology	DSSS, OFDM
Transfer rate	802.11b: 11 / 5.5 / 2 / 1Mbps 802.11g: 54 / 48 / 36 / 24 / 18 / 12 / 9 / 6Mbps Draft 802.11n (20MHz, 800ns GI): 65 / 58.5 / 52 / 39 / 26 / 19.5 / 13 / 6.5Mbps Draft 802.11n (40MHz, 800ns GI): 135 / 121.5 / 108 / 81 / 54 / 40.5 / 27 / 13.5Mbps Draft 802.11n (20MHz, 400ns GI): 72.2 / 65 / 57.8 / 43.3 / 28.9 / 21.7 / 14.4 / 7.2Mbps Draft 802.11n (40MHz, 400ns GI): 150 / 135 / 120 / 90 / 60 / 45 / 30 / 15Mbps
FREQUENCY Range	2400MHz ~ 2483.5MHz
NUMBER OF CHANNEL	11 for 802.11b, 802.11g, draft 802.11n (20MHz) 7 for draft 802.11n (40MHz)

4.5. Warning

4.5.1 Federal Communication Commission Interference Statement

This equipment has been tested and found to comply with the limits for a Class B digital device, pursuant to Part 15 of the FCC Rules. These limits are designed to provide reasonable protection against harmful interference in a residential installation. This equipment generates, uses and can radiate radio frequency energy and, if not installed and used in accordance with the instructions, may cause harmful interference to radio communications. However, there is no guarantee that interference will not occur in a particular installation. If this equipment does cause harmful interference to radio or television reception, which can be determined by turning the equipment off and on, the user is encouraged to try to correct the interference by one of the following measures:

- Reorient or relocate the receiving antenna.
- Increase the separation between the equipment and receiver.
- Connect the equipment into an outlet on a circuit different from that to which the receiver is connected.
- Consult the dealer or an experienced radio/TV technician for help.

This device complies with Part 15 of the FCC Rules. Operation is subject to the following two conditions: (1) This device may not cause harmful interference, and (2) this device must accept any interference

received, including interference that may cause undesired operation.

FCC Caution: Any changes or modifications not expressly approved by the party responsible for compliance could void the user's authority to operate this equipment.

IMPORTANT NOTE:

FCC Radiation Exposure Statement:

This equipment complies with FCC radiation exposure limits set forth for an uncontrolled environment. This equipment should be installed and operated with minimum distance 20cm between the radiator & your body.

This transmitter must not be co-located or operating in conjunction with any other antenna or transmitter.

IEEE 802.11b or 802.11g operation of this product in the U.S.A. is firmware-limited to channels 1 through 11.

This device is intended only for OEM integrators under the following conditions:

The antenna must be installed such that 20 cm is maintained between the antenna and users, and

The transmitter module may not be co-located with any other transmitter or antenna,

For all products market in US, OEM has to limit the operation channels in CH1 to CH11 for 2.4G band by supplied firmware programming tool. OEM shall not supply any tool or info to the end-user regarding to Regulatory Domain change.

As long as 3 conditions above are met, further transmitter test will not be required. However, the OEM integrator is still responsible for testing their end-product for any additional compliance requirements required with this module installed (for example, digital device emissions, PC peripheral requirements, etc.).

IMPORTANT NOTE: In the event that these conditions can not be met (for example certain laptop configurations or co-location with another transmitter), then the FCC authorization is no longer considered valid and the FCC ID can not be used on the final product. In these circumstances, the OEM integrator will be responsible for re-evaluating the end product (including the transmitter) and obtaining a separate FCC authorization.

End Product Labeling

This transmitter module is authorized only for use in device where the antenna may be installed such that 20 cm may be maintained between the antenna and users. The final end product must be labeled in a visible area with the following: "Contains FCC ID: TX2-RTL8191RU".

Manual Information To the End User

The OEM integrator has to be aware not to provide information to the end user regarding how to install or remove this RF module in the user's manual of the end product which integrates this module.

The end user manual shall include all required regulatory information/warning as show in this manual.

Industry Canada Statement

This device complies with RSS-210 of the Industry Canada Rules. Operation is subject to the following two conditions:

1) this device may not cause interference and

2) this device must accept any interference, including interference that may cause undesired operation of the device

This device has been designed to operate with an antenna having a maximum gain of 2 dBi. Antenna having a higher gain is strictly prohibited per regulations of Industry Canada. The required antenna impedance is 50 ohms.

To reduce potential radio interference to other users, the antenna type and its gain should be so chosen that the EIRP is not more than required for successful communication.

IMPORTANT NOTE:

IC Radiation Exposure Statement:

This equipment complies with IC radiation exposure limits set forth for an uncontrolled environment. This equipment should be installed and operated with minimum distance 20cm between the radiator & your body.

4.5.2 Industry Canada Statement

This device complies with RSS-210 of the Industry Canada Rules. Operation is subject to the following two conditions:

- 1) this device may not cause interference and
- 2) this device must accept any interference, including interference that may cause undesired operation of the device

This device has been designed to operate with an antenna having a maximum gain of 2dBi.

Antenna having a higher gain is strictly prohibited per regulations of Industry Canada. The required antenna impedance is 50 ohms.

To reduce potential radio interference to other users, the antenna type and its gain should be so chosen that the EIRP is not more than required for successful communication.

IMPORTANT NOTE:

IC Radiation Exposure Statement:

This equipment complies with IC radiation exposure limits set forth for an uncontrolled environment. This equipment should be installed and operated with minimum distance 20cm between the radiator & your body.

This device is intended only for OEM integrators

under the following conditions:

The transmitter module may not be co-located with any other transmitter or antenna.

As long as conduction above is met, further transmitter test will not be required. However, the OEM integrator is still responsible for testing their end-product for any additional compliance requirements required with this module installed (for example, digital device emissions, PC peripheral requirements, etc.). The antenna must be installed such that 20 cm is maintained between the antenna and users.

IMPORTANT NOTE: In the event that these conditions can not be met (for example certain laptop configurations or co-location with another transmitter), then the IC authorization is no longer considered valid and the IC ID can not be used on the final product. In these circumstances, the OEM integrator will be responsible for re-evaluating the end product (including the transmitter) and obtaining a separate IC authorization.

End Product Labeling

The final end product must be labeled in a visible area with the following: “Contains TX IC : 6317A-RTL8191RU”.

Manual Information That Must be Included

The OEM integrator has to be aware not to provide information to the end user regarding how to install or remove.

This RF module in the user's manual of the end product which integrates this module.

The user's manual for OEM Integrators must include the following information in a prominent location “IMPORTANT NOTE: To comply with FCC RF exposure compliance requirements. The antenna must not be co-located or operating in conjunction with any other antenna or transmitter”.

4.5.3 NCC 警語

經型式認證合格之低功率射頻電機，非經許可，公司、商號或使用者均不得擅自變更頻率、加大功率或變更原設計之特性及功能。

低功率射頻電機之使用不得影響飛航安全及干擾合法通信；經發現有干擾現象時，應立即停用，並改善至無干擾時方得繼續使用。前項合法通信，指依電信法規定作業之無線電通信。低功率射頻電機須忍受合法通信或工業、科學及醫療用電波輻射性電機設備之干擾。

本模組於取得認證後將依規定於模組本體標示審合格籤，並要求平台上標示「本產品內含射頻模組：ID編號」

Realtek Semiconductor Corp.**Headquarters**

No. 2, Innovation Road II, Hsinchu Science Park,

Hsinchu, 300, Taiwan, R.O.C.

Tel: 886-3-5780211 Fax: 886-3-5776047

www.realtek.com.tw