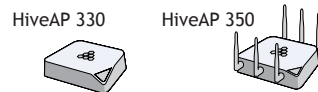
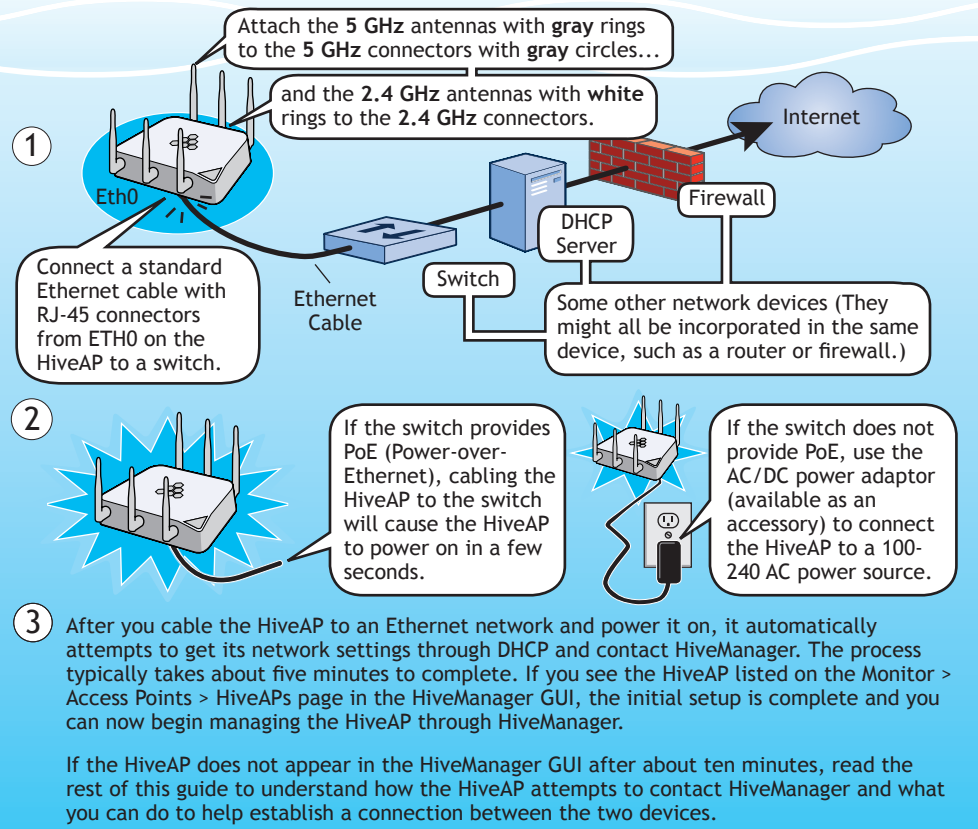


Aerohive QuickStart for the HiveAP 330 and 350



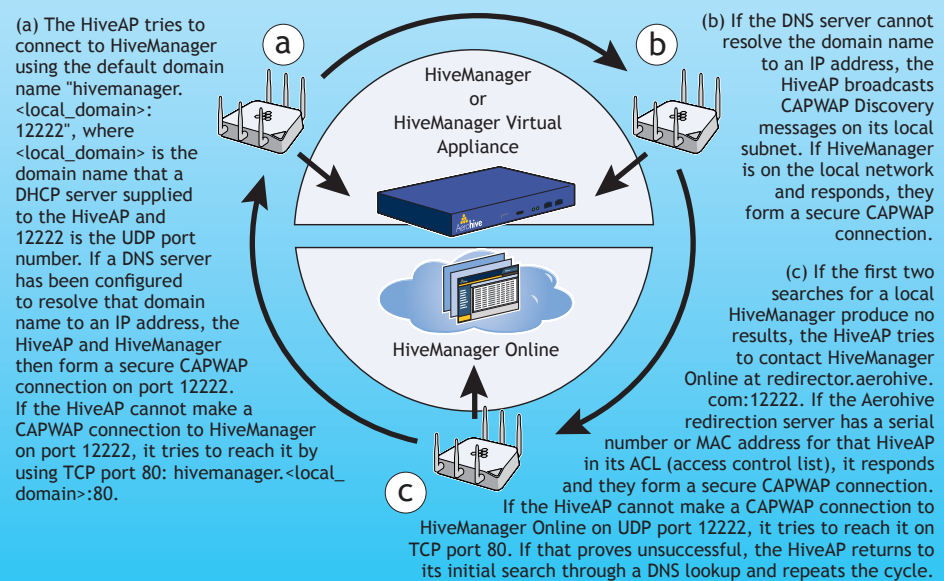
This guide explains how to set up a HiveAP 330 or 350 so it can make a network connection to HiveManager, and how to mount it on a ceiling or wall. (The HiveAP 350 with articulated antennas is shown in the illustrations, but the instructions apply equally to the HiveAP 330 and to the HiveAP 350 with non-articulated antennas.) To register, get product documentation, and download software updates, visit www.aerohive.com/support.



Connecting to HiveManager

By default, a HiveAP acts as a DHCP client and gets its network settings automatically from a DHCP server. (You can also configure it with static network settings through the CLI. See the next section, "Using the Virtual Access Console".) After a HiveAP has its network settings, it then acts as a CAPWAP client and sends CAPWAP Discovery messages until HiveManager, acting as the CAPWAP server, responds. CAPWAP (Control and Provisioning of Wireless Access Points) is a protocol that access points use to contact a management device and communicate with it.

When a HiveAP goes online for the first time without any specific CAPWAP server configuration entered manually or received as a DHCP option, it progresses through these cycle of CAPWAP connection attempts:



A HiveAP connected directly to the network is called a portal. You can also place a HiveAP within radio range of a portal so that it forms a wireless link through the portal to the wired network. This kind of HiveAP is called a mesh point. A mesh point initially forms a hive with its portal using a default hive called hive0. Through this link, the mesh point can reach the network and get its network settings from the DHCP server. Then it can form a CAPWAP connection with HiveManager. (To add mesh points after changing the hive name, first connect them to the wired network. Next, push the configuration with the new hive name and password to them from HiveManager. Finally, deploy them as mesh points.)

If the HiveAP forms a CAPWAP connection with the Aerohive redirection server and its serial number has been entered in an ACL, the redirection server automatically redirects the CAPWAP connection to the corresponding HiveManager Online VHM (virtual HiveManager). The redirection server does this by sending the HiveAP the HiveManager domain name or IP address as its new CAPWAP server and the name of the appropriate VHM. If the HiveAP is currently using HTTP, the redirection server includes the configuration needed for the HiveAP to continue using it. Similarly, if the HiveAP is configured to access the public network through an HTTP proxy server, the redirection server saves the relevant settings on the HiveAP so it will continue using the HTTP proxy server when connecting to HiveManager.

If the Aerohive redirection server does not have the HiveAP serial number, the ACL ignores the CAPWAP connection attempts, and the HiveAP repeats the connection cycle shown previously.

Using the Virtual Access Console

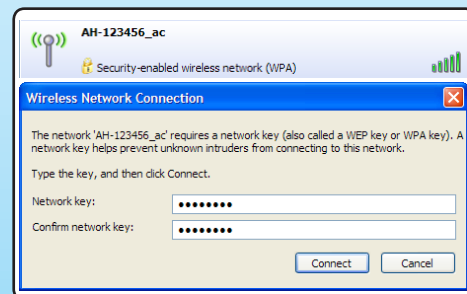
As explained in the previous section, after connecting a HiveAP to the network and powering it on, it acts as a DHCP client and tries to get its network settings automatically from a DHCP server in VLAN 1. However, if there is no DHCP server in that VLAN, if the native VLAN for the network segment is not 1, or if you just want to assign it a static IP address, then you need to access the CLI and define the network settings yourself.

One approach is to use a console cable, which is available from Aerohive as an accessory. Another is to use the virtual access console. This is a way of accessing the CLI on a HiveAP wirelessly through a special SSID that the HiveAP, by default, automatically activates for administrative access when it has no configuration and cannot reach its default gateway.

The default virtual access console SSID name is "<hiveap-hostname>_ac". The default host name of a HiveAP consists of "AH-" plus the last six digits of its MAC address; for example, AH-123456. In this case, the name of the default virtual access console SSID would be "AH-123456_ac". By default, this SSID uses *aerohive* as the PSK (preshared key) for authenticating user access. To access the virtual access console, do the following:

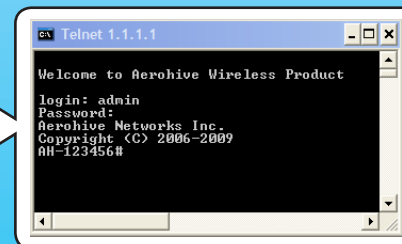
4 Using your wireless client, scan for wireless networks. If you are within range, an SSID such as "AH-123456_ac" appears.

Select it, and when prompted to enter a network key, type *aerohive* and then click Connect.



5 Check the IP address of the default gateway that the DHCP server on the HiveAP assigned your client. Then make an SSH or Telnet connection to the HiveAP at that IP address. (Note that the Telnet connection is protected by WPA2 security mechanisms.) When prompted to enter your credentials, enter the default Aerohive login name (*admin*) and password (*aerohive*).

```
C:\>ipconfig
Windows IP Configuration
Ethernet adapter Wireless
Network Connection:
    Connection-specific DNS Suffix . . . :
    IP Address . . . . . : 1.1.1.2
    Subnet Mask . . . . . : 255.255.255.0
    Default Gateway . . . . . : 1.1.1.1
C:\>telnet 1.1.1.1
```



6 After logging in to the virtual access console, you can view the status of various functions and make configuration changes. Here are some commonly used commands:

Use these commands:	To do the following:
show interface	Check the status of both wired and wireless interfaces
show interface mgt0	See the network settings (IP address, netmask, default gateway) and VLAN ID of the mgt0 interface, which is the management interface of the HiveAP
no interface mgt0 dhcp client	Disable the DHCP client
interface mgt0 ip <ip_addr> <netmask>	Set the IP address and netmask of the mgt0 interface
interface mgt0 native-vlan <id>	Set the native (untagged) VLAN that the switch infrastructure in the surrounding wired and wireless network uses
interface mgt0 vlan <id>	Set the VLAN for management and control traffic
show capwap client	See CAPWAP client settings and status
show hive	See the hive name
show hive <string> neighbor	Check for any neighboring hive members
hive <string> ...	Create a hive and set its parameters
show ssid	See a list of all SSID names
ssid <string> ...	Configure an SSID
interface { wifi0 wifi1 } ssid <string>	Bind an SSID to a wireless interface in access mode
save config	Save the configuration to flash
reboot	Reboot the HiveAP

Only set the following command when managing HiveAPs through HiveManager or HiveManager Virtual Appliance. Do not use it with HiveManager Online.

capwap client server name <string>	Set the IP address or domain name of the CAPWAP server (HiveManager)
------------------------------------	--

To see a list of commands, and their accompanying CLI Help, type a question mark (?). For example, to see all the show commands, enter `show ?`

If you want to find a command that uses a particular character or string of characters, you can do a search using the following command: `show cmds | include <string>`, where <string> is the word or string of characters you want to find.

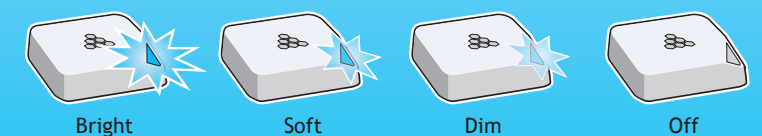
Device- and platform-specific CLI reference guides are available online. (To learn how to access them, see "Where to go for more information" elsewhere in this document.)

Status LED

The status LED in the corner of the HiveAP 330 and 350 indicates various states of activity through its color and illumination patterns (solid or flashing). The meanings of the colors are explained below.

- **Dark:** There is no power or the status indicator is disabled.
- **Blue:** (solid) The device is booting up or there is no backhaul link; (flashing) the device is shutting down
- **Green:** The default route is through the backhaul Ethernet interface, but not all conditions for normal operations (white) have been met.
- **Yellow:** The default route is through a backhaul wifi interface, but not all conditions for normal operations (white) have been met.
- **White:** The device is powered on and the firmware is operating normally; that is, a wireless interface in access mode is up, a wired or wireless backhaul link is up, and the HiveAP has a CAPWAP connection to HiveManager.
- **Purple:** A new image is being loaded from HiveManager or a management AP.
- **Orange:** An alarm indicating a firmware or hardware issue has occurred.

You can adjust its brightness level from bright (the default) to soft to dim, or turn it off completely. In HiveManager, the setting is on the Configuration > Management Services > Management Options page. CLI: [no] system led brightness { soft | dim | off }.



Mounting the HiveAP 330 and 350

Using the rail mount, you can mount the HiveAP 330 or 350 to the tracks of a dropped ceiling grid. Using the mounting plate, you can mount it to any flat surface that can support its weight (HiveAP 330: 1.5 lb or 0.68 kg; HiveAP 350: 2.375 lb or 1.08 kg). Both mounting options are explained below. (The HiveAP 330 is shown in these illustrations, but the instructions apply to both models.)

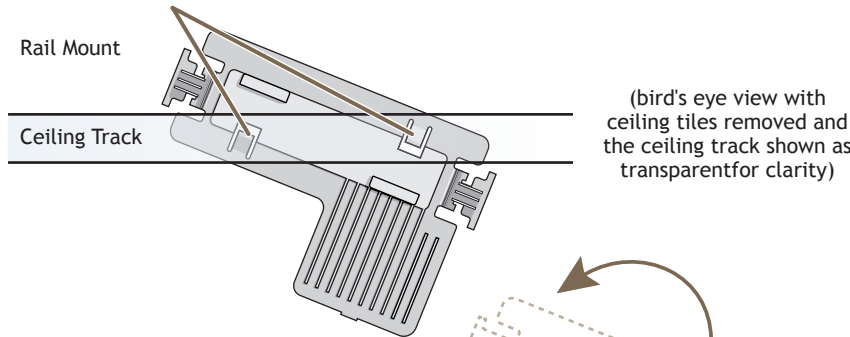
Note: In addition to these methods, you can also mount the HiveAP on a table using the set of four rubber feet that ship with the product. Simply peel the rubber feet off the adhesive sheet and press them against the underside of the HiveAP in its four corners.

Ceiling Mount

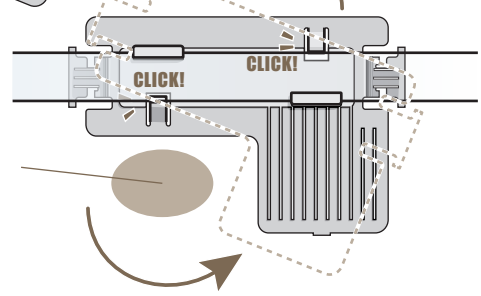
To mount the HiveAP 330 or 350 to a standard 15/16"-wide track (2.38 cm) in a dropped ceiling, use one of the two rail mounts that ship with the HiveAP, depending on whether the track is flush with the ceiling tiles or recessed. You also need a drill and—most likely—a ladder.

Nudge the ceiling tiles slightly away from the track to clear some space, and then attach the appropriate rail mount to the ceiling track. When you have the rail mount in the correct location, cut or drill a hole in the ceiling through which you can then pass the Ethernet and power cables.

- 1 Press the rail mount upward against the ceiling track so that the track contacts the two pressure tabs and pushes them flush with the rail mount.



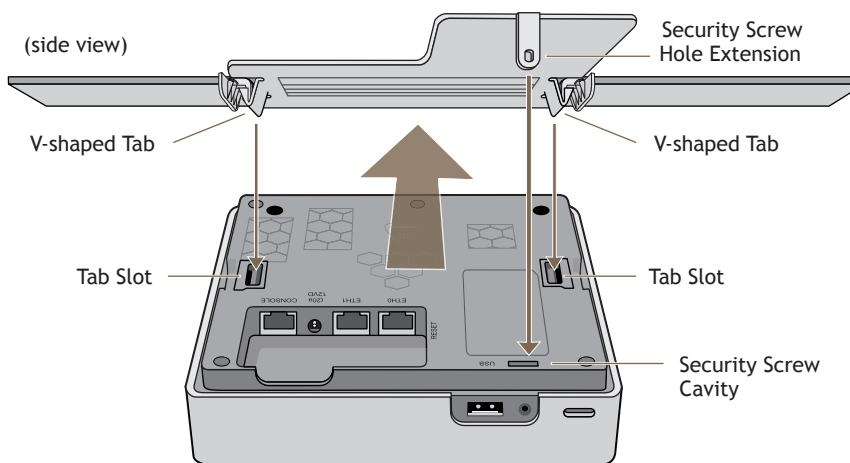
- 2 Rotate the rail mount until the two pressure tabs click into place, gripping the ceiling track.



- 3 In the open space in the L-shaped rail mount, drill a hole in the ceiling tile (not shown). Then pass one or both Ethernet cables through the hole, and if you plan to supply power from an AC power source rather than through PoE, pass the power cable through as well.

Connect the cables and then attach the HiveAP to the rail mount to complete the installation. For the HiveAP 350, attach the articulated antennas and swivel them into a vertical position pointing downward to provide optimal coverage.

- 4 With the HiveAP upside down, connect the cables (not shown). Align the two V-shaped tabs and the security screw hole extension on the rail mount with the tab slots and security screw cavity on the HiveAP, and press the HiveAP upward until it snaps into place.



When done, adjust the ceiling tiles back into their former position. →

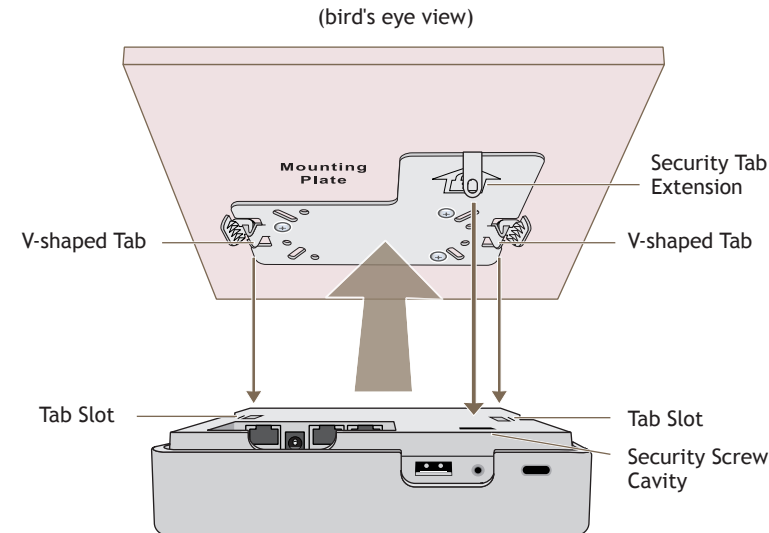
Surface Mount

You can use the mounting plate to attach the HiveAP to any surface that supports its weight, and to which you can screw or nail the plate. First, mount the plate to the surface. Then, in the open space in the L-shaped mounting plate, make a hole in the wall so that you can pass the cables through to the HiveAP. Finally, attach the device to the plate, connect the cables, and for the HiveAP 350, attach the antennas.

Mount the HiveAP on a wall as explained below.

- 1 With the two flexible V-shaped tabs at the sides of the plate extending away from the surface, attach the mounting plate to a secure object such as a wall, ceiling, post, or beam.

Note: There are various holes through which you can screw or nail the plate in place. Choose the two or three that best suit the object to which you are attaching it.



- 2 Cut or drill a hole in the wall in the open space in the L-shaped mounting plate, pass the cables through to the HiveAP, and connect them. (You can also run the cables along the wall to the HiveAP instead of through a hole.)

Depending on how the device is powered and how it connects to the network, connect a power cable and one or two Ethernet cables. (The cables are not shown in the illustration.)

- 3 Align the tabs and security tab extension on the mounting plate with the tab slots and security screw cavity on the HiveAP.

- 4 Push the the HiveAP against the mounting plate until the tabs click inside the tab slots.

For the HiveAP 350, attach either the articulated or non-articulated antennas, orient them vertically for best coverage.

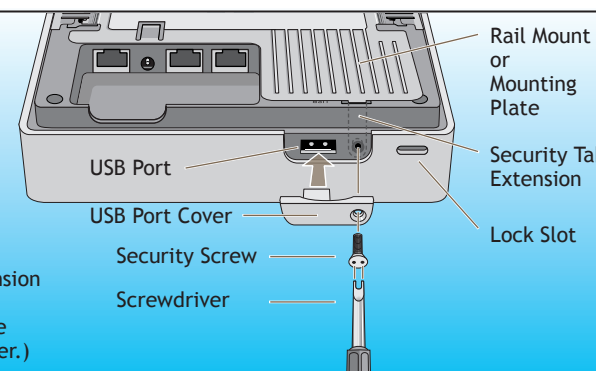
Locking the HiveAP

To lock the HiveAP to the rail mount or mounting plate, use either a Kensington lock or the security screw that is included with the mounting kit. To use a Kensington lock, loop the cable attached to the lock around a secure object, insert the T-bar component of the lock into the device lock slot on the HiveAP, and then turn the key to engage the lock mechanism.

To lock the HiveAP to the rail mount or mounting plate or to lock the USB port cover, use the security screw, which is included in the mounting kit. You also need a drilled spanner insert bit for size #6 security screws and a screwdriver that will accept the bit. The correct bits are available from Aerohive in sets of three (AH-ACC-SEC-BIT-330-350-3PK).

To use the security screw, follow the steps below:

- 1 If you want to hide the USB port, attach the USB port cover by pushing the tab on the cover into the port.
- 2 Insert the security screw through the hole in the cover and the hole in the chassis. Using a screwdriver with a drilled spanner insert bit, fasten the screw to the security tab extension on the rail mount. (If you want to expose the USB port, use the security screw without the cover.)



Deployment and Configuration Tips

The following are some tips and suggestions to help you troubleshoot a few common problems that might arise when setting up the HiveAP 330 and 350:

- For the HiveAP 350, make sure that you connect the 2.4 GHz antennas to the 2.4 GHz connectors, and the 5 GHz antennas to the 5 GHz connectors.
- If you manage the HiveAP through HiveManager Online and it does not show up on the Monitor > Access Points > HiveAPs page, do the following:
 - Check if the HiveAP serial number is listed in the ACL (access control list) on the Aerohive redirection server. Log in to myhive.aerohive.com, and then click Redirector > Monitor > HiveAP Access Control List). If not, click Enter, type its serial number in the HiveAP Serial Number field, and then click Save. When done, reboot the HiveAP.
 - Check connectivity to Aerohive redirection server:
 - ping redirector.aerohive.com (Check connectivity from the HiveAP network)
 - capwap ping redirector.aerohive.com (Check connectivity through CAPWAP)
 - Ensure that any intervening firewalls allow one of the following sets of services from the HiveAP to HiveManager Online:
 - CAPWAP (UDP 12222), SSH (TCP 22), and HTTPS (TCP 443)
 - or
 - HTTP (TCP 80) and HTTPS (TCP 443)
- If a wireless client cannot form an association with an SSID, check that the client is within range and that it is configured to use the same authentication method as the SSID. For example, if the client is configured to use Open or WEP authentication but the SSID is set for WPA or WPA2, the client will not be able to associate with the HiveAP. To see the security settings for an SSID, log in to HiveManager, click Configuration > SSIDs > ssid_name > Advanced Access Security Settings, and look at the SSID access security type, the key management method, and the encryption method.
- If the client associates and authenticates itself, but the HiveAP cannot forward traffic, check that the HiveAP is assigning the correct user profile and, if so, that it is also assigning the correct VLAN. To see the user profile and VLAN that a HiveAP assigns a client, log in to HiveManager, click Monitor > Clients > Active Clients > client_mac_address. Check the user profile attribute and VLAN. If those are correct, then check that the client has received its network settings through DHCP. To check connectivity to a DHCP server, click Tools > VLAN Probe, choose the HiveAP with which the client is associated from the HiveAP drop-down list, enter IDs for the VLAN range that you want to check. Click Start to send a DHCP DISCOVER message, and see if it elicits a response. Also check that the VLAN configuration for the port on the connecting switch is correct.

To remove all settings and return the configuration to its factory default settings, enter the reset config command or use a pin to press the Reset button, which is located near the ETH0 port on the underside of the chassis, and hold it down for at least 10 seconds.

Where to go for more information

Technical Documentation

Aerohive provides various technical documents for its products. For information about CLI commands, see the CLI reference guides available in HTML format. For information about HiveManager and HiveAP hardware and software topics, see the *Aerohive Deployment Guide* (PDF). The deployment guide contains information about HiveAPs and HiveManager appliances, WLAN deployment considerations, and detailed configuration instructions for commonly used features. To access Aerohive product documentation, visit www.aerohive.com/techdocs.

HiveManager Help System

The HiveManager Help system contains a wealth of information about all the features you can configure through HiveManager. To access it, click the Help icon in the upper right corner of the GUI. A Help topic that pertains to the currently active GUI page appears. To see other Help topics, use the table of contents to browse the system or the search tool to find information about a specific subject.

Support Site

Access technical support services, documentation, and software at www.aerohive.com/support/login.html. After registering for an account, you will receive a user name and password to enter when logging in. You can contact Support for assistance through the web site or by phone (+1 408.510.6100 or 866.365.9918).

Training

Aerohive offers courses covering the Aerohive cooperative control concepts, the installation and configuration of Aerohive products, and how to troubleshoot issues and optimize performance. For more information, visit www.aerohive.com/support/training.html.

Aerohive also offers CBT (computer-based training) modules. CBTs are online flash tutorials that explain Aerohive concepts and walk you through configuration procedures step by step. You can use the CBTs to familiarize yourself with the HiveManager GUI and learn how to configure HiveAPs. Aerohive CBTs are available for free online at www.aerohive.com/techdocs.



Aerohive HiveAP Compliance Information

Federal Communication Commission Interference Statement

Aerohive products that show an FCC identifier on the product label (FCC ID: WBV-`<model_name>`) comply with part 15 of the FCC Rules when operating under the following restrictions: (1) they do not cause harmful interference, and (2) they must accept any RF interference received, including interference that might cause an unwanted impact on their operation.

This equipment has been tested and found to comply with the limits for a Class B digital device, pursuant to Part 15 of the FCC Rules. These limits are designed to provide reasonable protection against harmful interference in a residential installation. This equipment generates, uses and can radiate radio frequency energy and, if not installed and used in accordance with the instructions, may cause harmful interference to radio communications. However, there is no guarantee that interference will not occur in a particular installation. If this equipment does cause harmful interference to radio or television reception, which can be determined by turning the equipment off and on, the user is encouraged to try to correct the interference by one of the following measures:

- Reorient or relocate the receiving antenna
- Increase the separation between the equipment and receiver
- Connect the equipment into an outlet on a circuit different from that to which the receiver is connected
- Consult the dealer or an experienced radio/TV technician for help

FCC Caution: Any changes or modifications not expressly approved by the party responsible for compliance could void the user's authority to operate this equipment. This device complies with Part 15 of the FCC Rules. Operation is subject to the following two conditions: (1) This device may not cause harmful interference, and (2) this device must accept any interference received, including interference that may cause undesired operation.

In compliance with FCC Part 15 regulations, the HiveAP automatically discontinues transmission if there is no valid information to transmit or if there is an operational failure.

Important: FCC Regulatory Warnings Notice

This equipment is restricted to indoor use due to its operation in 5 GHz frequencies, which are shared by mobile satellite systems and government radar systems. The FCC requires that this product only be used indoors to reduce the potential for harmful interference with co-channel radar that might be operating in the 5.25-5.35 or 5.47-5.725 GHz frequency ranges in the same area. The conflicting activity of radar stations and this device can cause interference or damage to each other. In addition, this device has a radar detection function that might interrupt normal operations when it detects a radar signal.

To reduce the risk of interference even further, installing this device away from windows is recommended.

DFS certification for Aerohive products is underway but is not complete at the time of this writing (1/2011). Contact Aerohive Technical Support for further information. After DFS certification is complete, these statements will hold true: This equipment complies with the FCC DFS (Dynamic Frequency Selection) rules documented in FCC 06-96 and KDB 443999. The 5 GHz radio uses channels 36 to 48 (5.180 to 5.240 GHz) and channels 149 to 165 (5.725 to 5.825 GHz), as well as channels within the DFS operating frequency ranges: 52 to 64 (5.25 to 5.35 GHz), 100 to 116 (5.47 to 5.59 GHz), and 132 to 140 (5.66 to 5.725 GHz). The frequency range 5.6 - 5.65 GHz is excluded from use. The maximum transmit power for channels from 36 to 48 is 15 dBm in the FCC region. Because this maximum is enforced by HiveOS, the HiveAP automatically limits the power to 15 dBm even if the setting is greater than that.

The FCC region code is set in the device during the manufacturing process, the option to set it to any region other than FCC is disabled, and the country code selection function has been completely removed from all U.S. models. It is impossible for the end user to change the region to anything other than FCC.

Only attach antennas that are certified for use with this device. Replacing antennas with unauthorized, high-gain antennas greatly increases the risk of interference and invalidates the FCC certification.

The use of any devices not approved by the FCC is illegal.

Industry Canada

Note: The term "IC" before the radio certification number signifies that Industry Canada technical specifications were met.

Products that show an Industry Canada identifier on the product label (IC: 7774A-`<model_name>`) can be operated in Canada under the following restrictions:

- The device must not cause interference and must accept any interference, including that which might cause an unwanted impact on the operation of the device.
- To reduce potential radio interference to other users, the antenna type and its gain must be chosen so that the EIRP (equivalent isotropically radiated power) is not more than that permitted for successful communication.
- The use of the Unlicensed National Informational Infrastructure (UNII) band UNII-1 (5.15-5.25 GHz; channels 36-48) must be limited to indoor deployments to reduce the potential for harmful interference with co-channel mobile satellite systems.
- To meet Industry Canada requirements, the UNII-2 band (5.25-5.35 GHz; channels 52-64) and UNII-2 Extended band (5.47-5.725 GHz; channels 100-116, 132-140) are disabled.
- The maximum permitted antenna gain for operation in the UNII-3 band (5.725-5.825 GHz; channels 149-165) must comply with EIRP limits specified for point-to-point and non point-to-point operation as stated in the Industry Canada Radio Standards Specification RSS-210, section A9.2(3).

Class B

This digital apparatus does not exceed the Class B limits for radio noise emissions from digital apparatus as set out in the interference-causing equipment standard entitled "Digital Apparatus," ICES-003 of Industry Canada.

Cet appareil numérique respecte les limites de bruits radioélectriques applicables aux appareils numériques de Classe B prescrites dans la norme sur le matériel brouilleur: "Appareils Numériques," NMB-003 édictée par l'Industrie.

Important: Radiation Exposure Statement

This equipment complies with radiation exposure limits set forth for an uncontrolled environment. This equipment should be installed and operated with a minimum distance of 20 centimeters (8 inches) between the radiator and your body. This transmitter must not be co-located or operating in conjunction with any other antenna or transmitter. For more information about RF exposure limits, visit (Canada) www.ic.gc.ca and (US) www.fcc.gov

Wi-Fi Certification



The Wi-Fi CERTIFIED™ Logo is a certification mark of the Wi-Fi Alliance®. The HiveAP 20, 100, 300 series have been certified for WPA™, WPA2™, WMM® (Wi-Fi Multimedia™), WMM Power Save, IEEE 802.11d, IEEE 802.11h, and the following types of EAP (Extensible Authentication Protocol):

- EAP-TLS
- EAP-TTLS/MSCHAPv2
- PEAPv0/EAP-MSCHAPv2
- PEAPv1/EAP-GTC
- EAP-SIM
- EAP-AKA
- EAP-FAST

The HiveAP 100 and 300 series have also been certified for short guard interval and 40-MHz operation in the 5-GHz band.

EC Conformance Declaration (CE 0560) (CE 0700)

Marking by the above symbol indicates compliance with the Essential Requirements of the R&TTE Directive of the European Union (1999/5/EC). This equipment meets the following conformance standards:

- EN 60950-1 (IEC 60950-1) - Product Safety
- EN 301 893 - Technical requirements for 5 GHz radio equipment
- EN 300 328 - Technical requirements for 2.4 GHz radio equipment
- EN 301 489-1 / EN 301 489-17 - EMC requirements for radio equipment

Declarations of conformity, compliance statements, and other regulatory documentation are available at www.aerohive.com/support.

WEEE and RoHS Compliance



Aerohive Networks products have been reviewed, analyzed and found to be in compliance with the European Union (EU) directive for Waste Electrical and Electronic Equipment (WEEE) and with the EU directive for the Restriction of Hazardous Substances (RoHS).

WEEE Collection Programs in the U.S. and EU

At end of life, customers are requested to contact Aerohive to make arrangements for WEEE collection of their products. The Aerohive collection center in the U.S. is at the following address:

Aerohive Inc.
650 Kaiser Drive
Fremont, CA 94555
Telephone: 510-608-7790
Contact: Technical Support, weee@aerohive.com

Aerohive, in association with M-Cubed LLC, also has a collection center at the following address in Germany, a member state of the European Union:

EXTRABYTE - M Cubed LLC
Klopstock Strasse #8
33613 BIELEFELD
Telephone: 49-521-882245
Contact: Mr. Andreas Budde

Countries of Operation and Conditions of Use in the European Community

HiveAPs are intended to be operated in all countries of the European Community. Requirements for indoor vs. outdoor operation, license requirements and allowed channels of operation apply in some countries as described below.

- Before operating a HiveAP, the admin or installer must properly enter the current country code as described in Aerohive product documentation.
Note to U.S. model owners: To comply with U.S. FCC regulations, the country selection function has been completely removed from all U.S. models. The above function is for non-U.S. models only.
- HiveAPs automatically limit the allowable channels determined by the current country of operation. Incorrectly entering the country of operation might result in illegal operation and cause harmful interference to other systems. The admin is obligated to ensure HiveAPs are operating according to the channel limitations, indoor/outdoor restrictions and license requirements for each European Community country as described in this section.
- HiveAPs can be operated indoors or outdoors in all countries of the European Community using the 2.4 GHz band: Channels 1-13, except where noted below:
 - In Italy and Luxembourg, you must apply for a license from the national spectrum authority to operate a HiveAP outside your own premises and for public use or service.
 - In Belgium outdoor operation is only permitted using the 2.46 to 2.4835 GHz band: Channel 13.
 - In France outdoor operation is limited to the 2.454 to 2.4835 GHz band (channels 8 to 13) at a maximum of 10 mW EIRP (effective isotropic radiated power).

- In Norway, the 2.4 GHz band cannot be used outdoors within a 20-km radius of the center of Ny-Ålesund.
- In Russia, the 2.4 GHz band is for indoor use only.
- Because radar systems use some bands in the 5 GHz spectrum, WLAN devices operating in these bands must use DFS (Dynamic Frequency Selection) to detect radar activity and switch channels automatically to avoid interfering with radar operations. For the ETSI region, the HiveAP 300 series is certified for the latest ETSI EN 301 893 v1.5.1 DFS requirements and can use DFS channels 52 to 140 (5.26 GHz to 5.32 GHz, and 5.5 GHz to 5.7 GHz). To comply with ETSI regulations when deploying a HiveAP 300 series device outdoors, set the 5 GHz radio to operate on the DFS channels and enable DFS. When deploying a HiveAP 300 series device indoors, then the 5 GHz radio can also use channels 36 to 48 as well as the DFS channels. The maximum transmit power for channels from 36 to 48 is 17 dBm in the ETSI region. Because this maximum is enforced by HiveOS, the HiveAP automatically limits the power to 17 dBm even if the setting is greater than that.
- Because the frequency ranges 5.25 to 5.35 and 5.47 to 5.725 are affected by DFS (Dynamic Frequency Selection), HiveAP 20 and 28 models block channels 52 to 64 and 100 to 140.
- The availability of some specific channels and/or operational frequency bands are country dependent and are firmware programmed at installation to match the intended destination. The firmware setting is accessible by the end user. Some national restrictions are noted below:
 - In Italy and Luxembourg, you must apply for a license from the national spectrum authority to operate a HiveAP outside your own premises and for public use or service in the 5.15 to 5.35 GHz band (channels 36 to 64) and 5.47 to 5.725 GHz band (channels 100 to 140).
 - In Russia, you can only use the 5.15 to 5.35 GHz band at 100 mW (20 dBm) indoors, in closed industrial and warehouse areas, and on board aircraft for local network and crew communications during all stages of a flight and for public WLAN access only at an altitude of 3000 meters or higher. You can only use the 5.65 to 5.825 GHz band with 100 mW EIRP on board aircraft at an altitude of 3000 meters or higher.

Declaration of Conformity in Languages of the European Community

English	Hereby, Aerohive, declares that this Radio LAN device is in compliance with the essential requirements and other relevant provisions of Directive 1999/5/EC.
Finnish	Valmistaja Aerohive vakuuttaa täten että Radio LAN device tyyppinen laite on direktiivin 1999/5/EY oleellisten vaatimusten ja sitä koskevien direktiivin muiden ehtojen mukainen.
Dutch	Hierbij verklaart Aerohive dat het toestel Radio LAN device in overeenstemming is met de essentiële eisen en de andere relevante bepalingen van richtlijn 1999/5/EG. Bij deze Aerohive dat deze Radio LAN device voldoet aan de essentiële eisen en aan de overige relevante bepalingen van Richtlijn 1999/5/EC.
French	Par la présente Aerohive déclare que cet appareil Radio LAN est conforme aux exigences essentielles et aux autres dispositions relatives à la directive 1999/5/CE.
Swedish	Härmed intygar Aerohive att denna Radio LAN device står i överensstämmelse med de väsentliga egenskapskrav och övriga relevanta bestämmelser som framgår av direktiv 1999/5/EG.
Danish	Undertegnede Aerohive erklærer herved, at følgende udstyr Radio LAN device overholder de væsentlige krav og øvrige relevante krav i direktiv 1999/5/EF.

German	Hiermit erklärt Aerohive, dass sich dieser/diese/ dieses Radio LAN device in Übereinstimmung mit den grundlegenden Anforderungen und den anderen relevanten Vorschriften der Richtlinie 1999/5/EG befindet". (BMW i) Hiermit erklärt Aerohive die Übereinstimmung des Gerätes Radio LAN device mit den grundlegenden Anforderungen und den anderen relevanten Festlegungen der Richtlinie 1999/5/EG. (Wien)
Greek	με την παρούσα Aerohive δηλώνει ότι radio LAN device συμμορφώνεται προς τις ουσιαστικές απαιτήσεις και τις λυσιτείες σχετικές διατάξεις της οδηγίας 1999/5/ΕΚ
Italian	Con la presente Aerohive dichiara che questo Radio LAN device è conforme ai requisiti essenziali ed alle altre disposizioni pertinenti stabilite dalla direttiva 1999/5/CE.
Spanish	Por medio de la presente Aerohive declara que el Radio LAN device cumple con los requisitos esenciales y cualesquiera otras disposiciones aplicables o exigibles de la Directiva 1999/5/CE.
Portuguese	Aerohive declara que este Radio LAN device está conforme com os requisitos essenciais e outras disposições da Directiva 1999/5/CE.

HiveAP 20 ag Safety Compliance

Power Cord Safety

Please read the following safety information carefully before installing a HiveAP.

Warning: Installation and removal of HiveAPs must be carried out by qualified personnel only.

- HiveAPs must be connected to an earthed (grounded) outlet to comply with international safety standards.
- Do not connect HiveAPs to an A.C. outlet (power supply) without an earth (ground) connection.
- The appliance coupler (the connector to the unit and not the wall plug) must have a configuration for mating with an EN 60320/IEC 320 appliance inlet.
- The socket outlet must be near the HiveAP and easily accessible. You can only remove power from a HiveAP by disconnecting the power cord from the outlet.
- HiveAPs operate under SELV (Safety Extra Low Voltage) conditions according to IEC 60950. The conditions are only maintained if the equipment to which they are connected also operates under SELV conditions.
- A HiveAP receiving power through its PoE (Power over Ethernet) interface must be in the same building as the equipment from which it receives power.

France and Peru only:

HiveAPs cannot be powered from IT* supplies. If your supplies are of IT type, then a HiveAP must be powered by 230 V (2P+T) via an isolation transformer ratio 1:1, with the secondary connection point labelled Neutral, connected directly to earth (ground). *Impédance à la terre

Important! Before making connections, make sure you have the correct cord set. Check it (read the label on the cable) against the description in this section.

Power Cord Set	
U.S.A. and Canada	The cord set must be UL-approved and CSA certified. Minimum specifications for the flexible cord: - No. 18 AWG not longer than 2 meters, or 16 AWG - Type SV or SJ - 3-conductor The cord set must have a rated current capacity of at least 10 A. The attachment plug must be an earth-grounding type with NEMA 5-15P (15 A, 125 V) or NEMA 6-15 (15 A, 250 V) configuration.
Denmark	The supply plug must comply with Section 107-2-D1, Standard DK2-1a or DK2-5a.
Switzerland	The supply plug must comply with SEV/ASE 1011.
U.K.	The supply plug must comply with BS1363 (3-pin 13 A) and be fitted with a 5 A fuse that complies with BS1362. The mains cord must be <HAR> or <BASEC> marked and be of type HO3VVF3GO.75 (minimum).
Europe	The supply plug must comply with CEE7/7 ("SCHUKO"). The mains cord must be <HAR> or <BASEC> marked and be of type HO3VVF3GO.75 (minimum). IEC-320 receptacle.

Veillez lire attentivement les informations de sécurité relatives à l'installation d'un point d'accès HiveAP.

Avertissement: L'installation et la dépose de points d'accès HiveAP doivent être effectuées uniquement par un personnel qualifié.

- Les points d'accès HiveAP doivent être connectés sur le secteur par une prise électrique munie de terre (masse) afin de respecter les standards internationaux de sécurité.
- Ne jamais connecter des points d'accès HiveAP à une alimentation électrique non-pourvue de terre (masse).
- Le boîtier d'alimentation (connecté directement au point d'accès) doit être compatible avec une entrée électrique de type EN 60320/IEC 320.
- La prise secteur doit se trouver à proximité du point d'accès HiveAP et facilement accessible. Vous ne pouvez mettre hors tension un point d'accès HiveAP qu'en débranchant son alimentation électrique au niveau de cette prise.
- Pour des raisons de sécurité, le point d'accès HiveAP fonctionne à une tension extrêmement basse, conformément à la norme IEC 60950. Les conditions de sécurité sont valables uniquement si l'équipement auquel le point d'accès HiveAP est raccordé fonctionne également selon cette norme.
- Un point d'accès HiveAP alimenté par son interface réseau Ethernet en mode POE (Power over Ethernet) doit être physiquement dans le même bâtiment que l'équipement réseau qui lui fournit l'électricité.

France et Pérou uniquement:

Un point d'accès HiveAP ne peut pas être alimenté par un dispositif à impédance à la terre. Si vos alimentations sont du type impédance à la terre, alors le point d'accès HiveAP doit être alimenté par une tension de 230 V (2P+T) via un transformateur d'isolement à rapport 1:1, avec le neutre connecté directement à la terre (masse).

Cordon électrique - Il doit être agréé dans le pays d'utilisation	
Etats-Unis et Canada	Le cordon doit avoir reçu l'homologation des UL et un certificat de la CSA.
	Les spécifications minimales pour un câble flexible - AWG No. 18, ou AWG No. 16 pour un câble de longueur inférieure à 2 mètres. - Type SV ou SJ - 3 conducteurs
	Le cordon doit être en mesure d'acheminer un courant nominal d'au moins 10 A.
	La prise femelle de branchement doit être du type à mise à la terre (mise à la masse) et respecter la configuration NEMA 5-15P (15 A, 125 V) ou NEMA 6-15P (15 A, 250 V).
Danemark	La prise mâle d'alimentation doit respecter la section 107-2 D1 de la norme DK2 1a ou DK2 5a.
Suisse	La prise mâle d'alimentation doit respecter la norme SEV/ASE 1011.
Europe	La prise secteur doit être conforme aux normes CEE 7/7 ("SCHUKO"). LE cordon secteur doit porter la mention <HAR> ou <BASEC> et doit être de type HO3VVF3GO.75 (minimum).

Bitte unbedingt vor dem Einbauen des HiveAP die folgenden Sicherheitsanweisungen durchlesen.

Warnung: Die Installation und der Ausbau des Geräts darf nur durch Fachpersonal erfolgen.

- Das Gerät sollte nicht an eine ungeerdete Wechselstromsteckdose angeschlossen werden.
- Das Gerät muß an eine geerdete Steckdose angeschlossen werden, welche die internationalen Sicherheitsnormen erfüllt.
- Der Gerätestecker (der Anschluß an das Gerät, nicht der Wandsteckdosenstecker) muß einen gemäß EN 60320/IEC 320 konfigurierten Geräteeingang haben.
- Die Netzsteckdose muß in der Nähe des Geräts und leicht zugänglich sein. Die Stromversorgung des Geräts kann nur durch Herausziehen des Gerätenetzkabels aus der Netzsteckdose unterbrochen werden.
- Der Betrieb dieses Geräts erfolgt unter den SELV-Bedingungen (Sicherheitskleinstspannung) gemäß IEC 60950. Diese Bedingungen sind nur gegeben, wenn auch die an das Gerät angeschlossenen Geräte unter SELV-Bedingungen betrieben werden.

Stromkabel. Dies muss von dem Land, in dem es benutzt wird geprüft werden:

U.S.A. und Kanada	Der Cord muß das UL geprüft und war das CSA beglaubigt.
	Das Minimum spezifikation für der Cord sind: - Nu. 18 AWG - nicht mehr als 2 meter, oder 16 AWG. - Der typ SV oder SJ - 3-Leiter
	Der Cord muß haben eine strombelastbarkeit aus wenigstens 10 A.
	Dieser Stromstecker muß hat einer erdschluss mit der typ NEMA 5-15P (15A, 125V) oder NEMA 6-15P (15A, 250V) konfiguration.

Danemark	Dieser Stromstecker muß die ebene 107-2-D1, der standard DK2-1a oder DK2-5a Bestimmungen einhalten.
Schweiz	Dieser Stromstecker muß die SEV/ASE 1011 Bestimmungen einhalten.
Europe	Europe Das Netzkabel muß vom Typ HO3VVF3GO.75 (Mindestanforderung) sein und die Aufschrift <HAR> oder <BASEC> tragen. Der Netzstecker muß die Norm CEE 7/7 erfüllen ("SCHUKO").

Country Certification Statements

The following HiveAPs have been certified by the specified regulatory agencies and authorities:

HiveAP 340

Saudi Arabia: Product Conformity Programme (PCP) Registration Number: KSA R-103282

Communications and Information Technology Commission (CITC) Number: 14408

HiveAP 320

Mexico: Cofetel Certification Number: RCPAEH10-1206

NYCE/NOM Certification Number: 1002CE11218

HiveAP 120

UAE: Telecommunication Regulatory Authority (TRA) Authorization Number: ER0050457/10

Dealer number: 0018920/09

Malaysia: SIRIM Type Approval Code: RAVG/92M/1010/S(10-1784)

Singapore: Infocomm Development Authority (IDA) Registration Number: G1901-10

Saudi Arabia: Product Conformity Programme (PCP) Registration Number: KSA R-103282

Communications and Information Technology Commission (CITC) Number: 14405

Liability Disclaimer

Installation of Aerohive equipment must comply with local and national electrical codes and with other regulations governing this type of installation. Aerohive Networks, its channel partners, resellers, and distributors assume no liability for personal injury, property damage, or violation of government regulations that might arise from failing to comply with the instructions provided and appropriate electrical codes.