

**Quick Start**

**Product Registration**

Registering your product ensures you receive the most appropriate service and product support available. You can register your product during installation or at [www.creative.com/register](http://www.creative.com/register).

Please note that your warranty rights are not dependent on registration.

**Creative Knowledge Base**

Resolve and troubleshoot technical queries at Creative's 24-hour self-help Knowledge Base. Go to [www.creative.com](http://www.creative.com), select your region and then select **Support**.

**Customer Support Services & Warranty**

You can find Customer Support Services, Warranty and other information in the User Documentation CD.

Customer Support Services	d:\support\<region>\<language>\support.chm
Warranty	d:\warranty\<region>\<language>\warranty.chm Please keep your Proof of Purchase for the duration of the Warranty period.
User's Guide	d:\manual\<language>\manual.chm

(replace **d:\** with the drive letter of your CD-ROM/DVD-ROM drive, **<region>** with the region you are in, and **<language>** with the language that the document is in).

*Keep this document for future reference.*

# Creative Broadband Blaster ADSL Router 8022

## Before You Begin

Write down your ADSL Router model and serial numbers, and the MAC address found at the bottom of your router.

You will need to provide the model and serial numbers when contacting Customer Support Services. You may also need to provide the MAC addresses to a network administrator if you plan to use your device for a large network, such as in a school or office.

## System Requirements

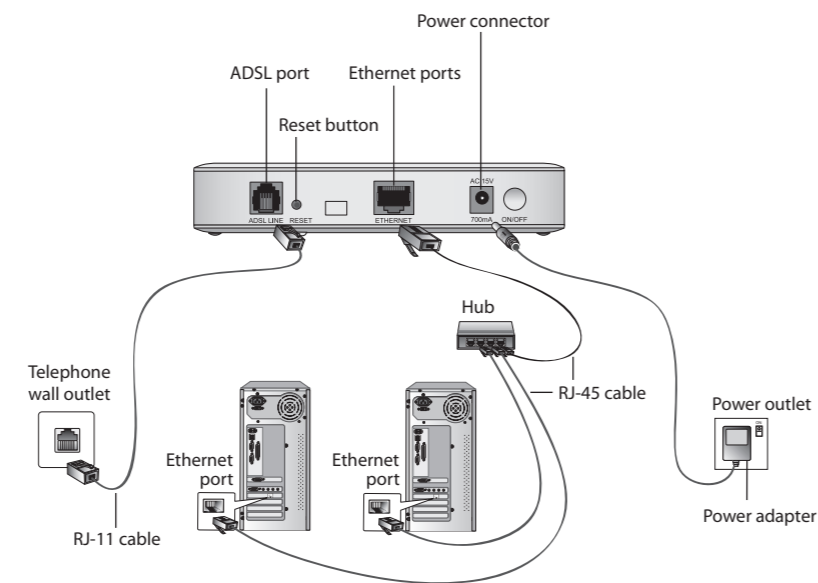
Be sure that your computer meets the following minimum system requirements.

- Network Interface Card (NIC) installed
- CD-ROM Drive
- Internet Explorer 6.0
- ADSL service running on your telephone line

## 1 Installing your Hardware

Before setting up your ADSL Router, be sure that the Network Interface Card in your computer is installed and functioning properly.

1. Connect the RJ-45 cable to the Ethernet ports on your computer and router.
2. Locate a telephone wall outlet with a running ADSL service and unplug any telephone cable that is connected to it.
3. Connect one end of the RJ-11 phone cable to the telephone wall outlet.
4. Connect the other end to the ADSL port of your router.
5. Connect the small round plug of the power adapter to the router's DC-IN Power connector and plug the other end into a power outlet.
6. Turn on the power supply and router.



Before using your ADSL Router, you will need to configure your Network Interface Card. For detailed instructions, see "Configuring your Network Interface Card".

## 2 Configuring your Network Interface Card

Make sure that the computer you are using has a functioning Network Interface Card. The default settings of your ADSL Router are:

- IP address: 192.168.1.1
- Subnet Mask: 255.255.255.0

### In Windows XP or Windows 2000

1. After setting up your ADSL Router, turn on your computer.
2. Click **Start** → **Settings** → **Control Panel** or **Start** → **Control Panel**.
3. For Microsoft® Windows® XP users, double-click the **Network Connections** icon. For Windows 2000 users, click the **Network and Dial-Up Connections** icon.
4. Right-click the **Local Area Connection** icon and then click **Properties**.
5. In the **Local Area Connection Properties** dialog box that appears, select **Internet Protocol (TCP/IP)** and then click the **Properties** button.
6. In the **Internet Protocol (TCP/IP) Properties** dialog box that appears, click the **Obtain an IP address automatically** option.
7. Click the **OK** button.
8. In the **Local Area Connection Properties** dialog box that appears, click the **OK** button.

### To check the IP address assigned to your Network Adapter

- i. Click **Start** → **Programs** (or **All Programs**, if you are in Windows XP Start menu mode) → **Accessories** → **Command Prompt**.
- ii. When the **Command Prompt** dialog box appears, type **ipconfig** and press the ENTER key.
- iii. Type **ipconfig/release** and press the ENTER key.
- iv. Type **ipconfig/renew** and press the ENTER key. Your IP address and Subnet Mask change to the above values.

### In Windows 98 SE/Windows ME

1. After setting up your ADSL Router, turn on your computer.
2. Click **Start** → **Settings** → **Control Panel**.
3. Double-click the **Network** icon.
4. In the **Network** dialog box that appears, click the **Configuration** tab.
5. Click the name of your Ethernet card, for example, TCP/IP → PRO/100+ Management Adapter (10/100) and then click the **Properties** button.
6. In the **TCP/IP Properties** dialog box that appears, click the **IP Address** tab.
7. Click the **Obtain an IP address automatically** option to select it and click the **OK** button.
8. Click the **OK** button.
9. When Windows prompts you to restart your computer, click the **Yes** button. The computer restarts.

### To check the IP address assigned to your Network Adapter

- i. Click **Start** → **Run**.
- ii. When the **Run** dialog box appears, type **windowsipcfg** in the **Open** box, then click the **OK** button. The next dialog box may take a minute or two to appear, so do not restart your computer or abort this operation prematurely.
- iii. In the **IP Configuration** dialog box that appears, click the arrow next to the first box and then click the name of your network device to select it. Verify that your IP address is **192.168.1.xxx** and your Subnet Mask is **255.255.255.0**. If not, go to steps iv and v below.
- iv. Click the **Release** button and then click the **Renew** button. Your IP address and Subnet Mask change to the above values.
- v. Click the **OK** button to close the **IP Configuration** dialog box.

After configuring your Network Interface Card, you need to configure your ADSL Router. See "Configuring your ADSL Router".

## 3 Configuring your ADSL Router

Before proceeding, make sure that you have configured your Network Interface Card successfully.

Your ADSL Router can have a number of different configurations. This section only covers the most common configuration, PPPoA/PPPoE Routed Configuration. Your ADSL service provider can tell you which configuration works best for you.

For more information on other configurations, refer to your User's Guide.

### PPPoA/PPPoE Configuration

DO NOT turn off the computer or router when the router configuration is being saved.

1. Start Internet Explorer.
2. In the **Address** box, type "**http://192.168.1.1**" and press the ENTER key. A dialog box similar to Figure 1 appears, prompting you for a username and password.
3. Type **admin** in the **User Name** and **Password** boxes.



Figure 1

4. Click the **OK** button. The Creative ADSL Router 8022 home page appears.
5. Click the **Quick Configuration** link on the left pane.
6. Select **Enabled** from the **Operation Mode** list box.
7. Select **PPPoA VC-Mux** or **PPPoE LLC** from the **Encapsulation** list box.

8. Type the **VPI** and **VCI** values provided by your Internet Service Provider (ISP) in the respective boxes.

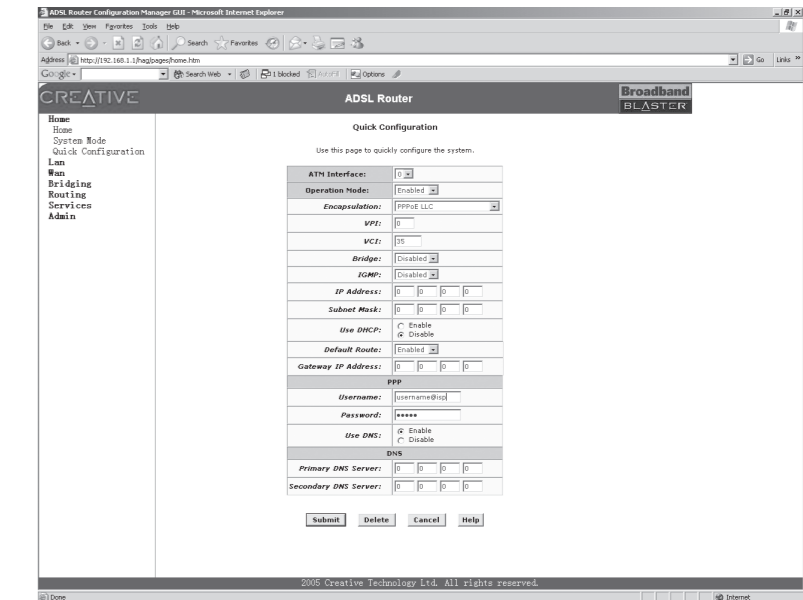


Figure 2

9. Type the PPP Username and PPP Password provided by your ISP, and click the **Submit** button.

Refer to your User's Guide to learn how to enable different functions for PPPoA and PPPoE configurations, as well as how to configure other types of connections.