



Quick Setup Guide

Simple Steps to Get Your AeroGarden Up and Growing (No tools required)



AeroGarden® Harvest Wi-Fi Harvest Elite Wi-Fi



Welcome to the world of indoor gardening!

AeroGarden Harvest Wi-Fi Model number: 100661- BLK
AeroGarden Harvest Elite Wi-Fi Model number: 100670 - PBL, PBU, PCP, PEG, PRE, BSS

Electrical Rating: 120V~60Hz, 0.3A
Electrical Rating: 120V~60Hz, 0.3A

Date Code

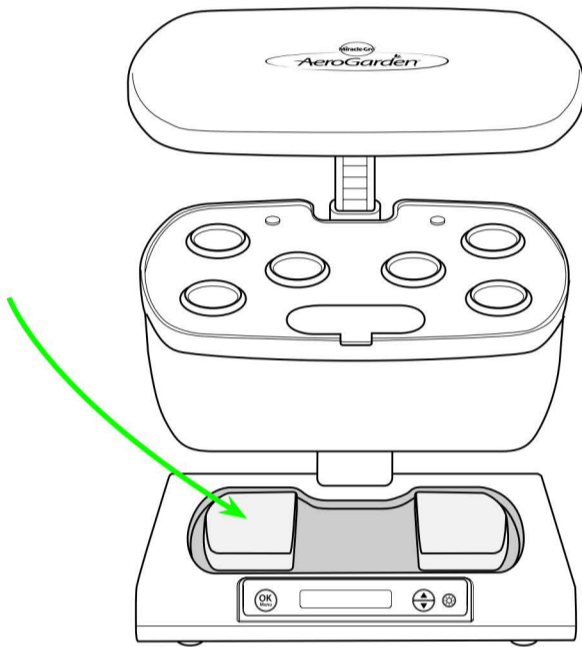
Keep this Guide!

2 Easy Steps

To Get Your AeroGarden Up and Growing

1 Set Bowl into Base

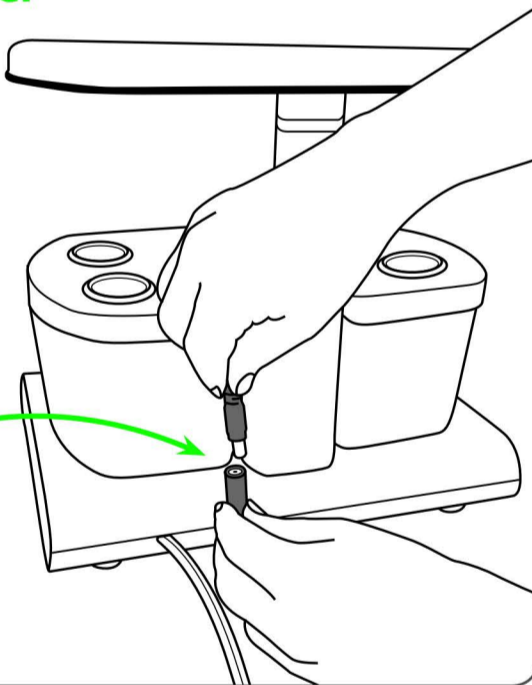
Make sure that Bowl is securely seated in Base and that Grow Deck is properly aligned on Bowl.



2 Plug Pump Power Cord into Base

Make sure that Pump power cord is plugged into the connector at the back of the base.

Pump Power Cord (back view)



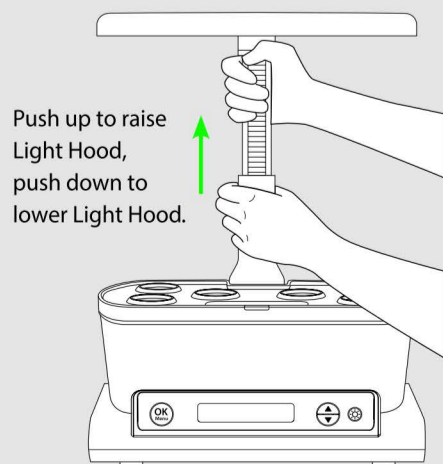
CONGRATULATIONS!
Your garden is ready to grow.
It really is that easy!

For more details on planting, growing and harvesting your AeroGarden, please turn over.

How to Raise and Lower the Light Hood

To raise and lower the Light Hood, wrap one hand around the bottom of the Light Post just above the Grow Deck and grasp the upper part of the Light Post with your other hand. Push up to raise the Light Hood or push down to lower the Light Hood. The Light Post will move up or down a notch at a time with a little pressure, or you can move it up or down several notches at a time with more pressure.

When planting a new Seed Pod Kit, the Light Hood should be set to the lowest possible position. For instructions and tips about when to raise (or not to raise) the Light Hood, refer to Gardening Tips (on flip side) and/or Seed Pod Kit Instruction booklet included with each seed kit.



IMPORTANT SAFETY INSTRUCTIONS

When using this AeroGarden electrical furnishing, basic precautions should always be followed, including the following: **Read all instructions before using this AeroGarden furnishing. SAVE THESE INSTRUCTIONS**

1. To reduce the risk of electric shock, the AeroGarden has a specific plug. Do not change the plug in any way.

DANGER – to reduce risk of electric shock:

2. Always unplug the AeroGarden from electrical outlet before cleaning or changing LED panel.

WARNING – to reduce risk of burns, fire, electric shock, or injury to persons:

3. Unplug AeroGarden from outlet before putting on or taking off parts.

4. Close supervision is necessary when an AeroGarden is used by or near children, invalids, or disabled persons.

5. Use AeroGarden only for its intended use as described in the instructions. Do not use attachments not recommended by manufacturer.

6. Never operate AeroGarden if it has a damaged cord or plug, if it is not working properly, if it has been dropped and damaged, or if it has been dropped in water. If any of these conditions occur/exist, contact www.AeroGardenSupport.com or your country's local distributor for instructions.

7. Keep cord away from heated surfaces.

8. Never operate furnishing with air openings blocked. Keep air openings free of lint, hair, and the like.

9. Never drop or insert any object into any electrical openings.

10. Do not use outdoors.

11. Do not operate where aerosol (spray) products are being used or where oxygen is being administered.

12. Do not touch moving parts or hot parts such as pumps, lights, reflective surfaces, and the like.

13. To disconnect, remove plug from outlet.

14. Do not place or submerge base, cord, plug, or Light Hood in water or other liquid to clean it.

15. Do not allow water to contact hot LED Grow Lights.

16. Use only approved and supplied parts and accessories. Use only AeroGarden LED Grow Lights with this AeroGarden model. Use of any other kind of accessory is not recommended. Replacement parts can be ordered from www.AeroGarden.com

17. Do not use AeroGarden for other than intended purpose.

18. This product is intended for household and residential use only. This product is not approved for commercial applications.

19. If supply cord is damaged, it must be replaced by manufacturer, its service agent, or similarly qualified technician in order to avoid a hazard.

20. Electrical wiring must be in accordance with local regulations.

21. This appliance is not intended for use by persons (including children) with reduced physical, sensory or mental capabilities, or lack of experience and knowledge, unless they have been given supervision or instruction concerning use of appliance by a person responsible for their safety.

22. Children should be supervised to ensure they do not play with the appliance.

Warning: Changes or modifications to this unit not expressly approved by the party responsible for compliance could void the user's authority to operate the equipment.

Note: This equipment has been tested and found to comply with the limits for a Class B digital device, pursuant to Part 15 of the FCC Rules. These limits are designed to provide reasonable protection against harmful interference in a residential installation. This equipment generates, uses and can radiate radio frequency energy and, if not installed and used in accordance with the instructions, may cause harmful interference to radio communications. However, there is no guarantee that interference will not occur in a particular installation. If this equipment does cause harmful interference to radio or television reception, which can be determined by turning the equipment off and on, the user is encouraged to try to correct the interference by one or more of the following measures:

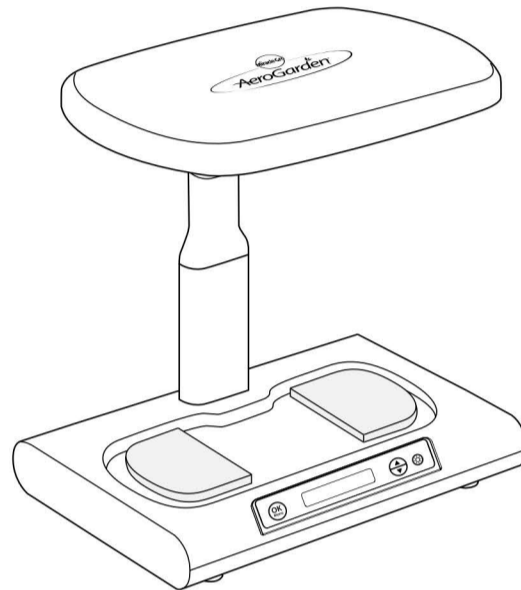
—Reorient or relocate the receiving antenna. —Connect the equipment into an outlet on a circuit different from that to which the receiver is connected.

—Increase the separation between the equipment and receiver. —Consult the dealer or an experienced radio/TV technician for help.

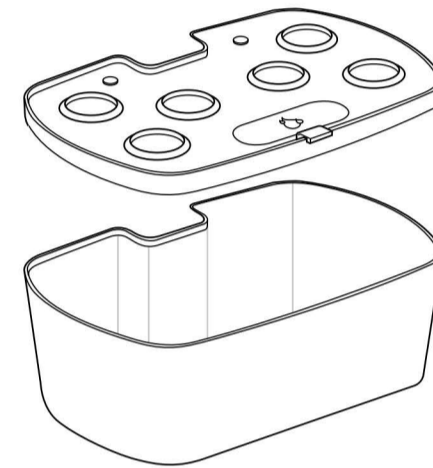
THIS DEVICE COMPLIES WITH PART 15 OF THE FCC RULES. OPERATION IS SUBJECT TO THE FOLLOWING TWO CONDITIONS: (1) THIS DEVICE MAY NOT CAUSE HARMFUL INTERFERENCE, AND (2) THIS DEVICE MUST ACCEPT ANY INTERFERENCE RECEIVED, INCLUDING INTERFERENCE THAT MAY CAUSE UNDESIRABLE OPERATION. The device has been evaluated to meet general RF exposure requirement.

Included in Package

Download the AeroGarden App by searching "AeroGarden" in your mobile App Store.



LED Light Hood & Base

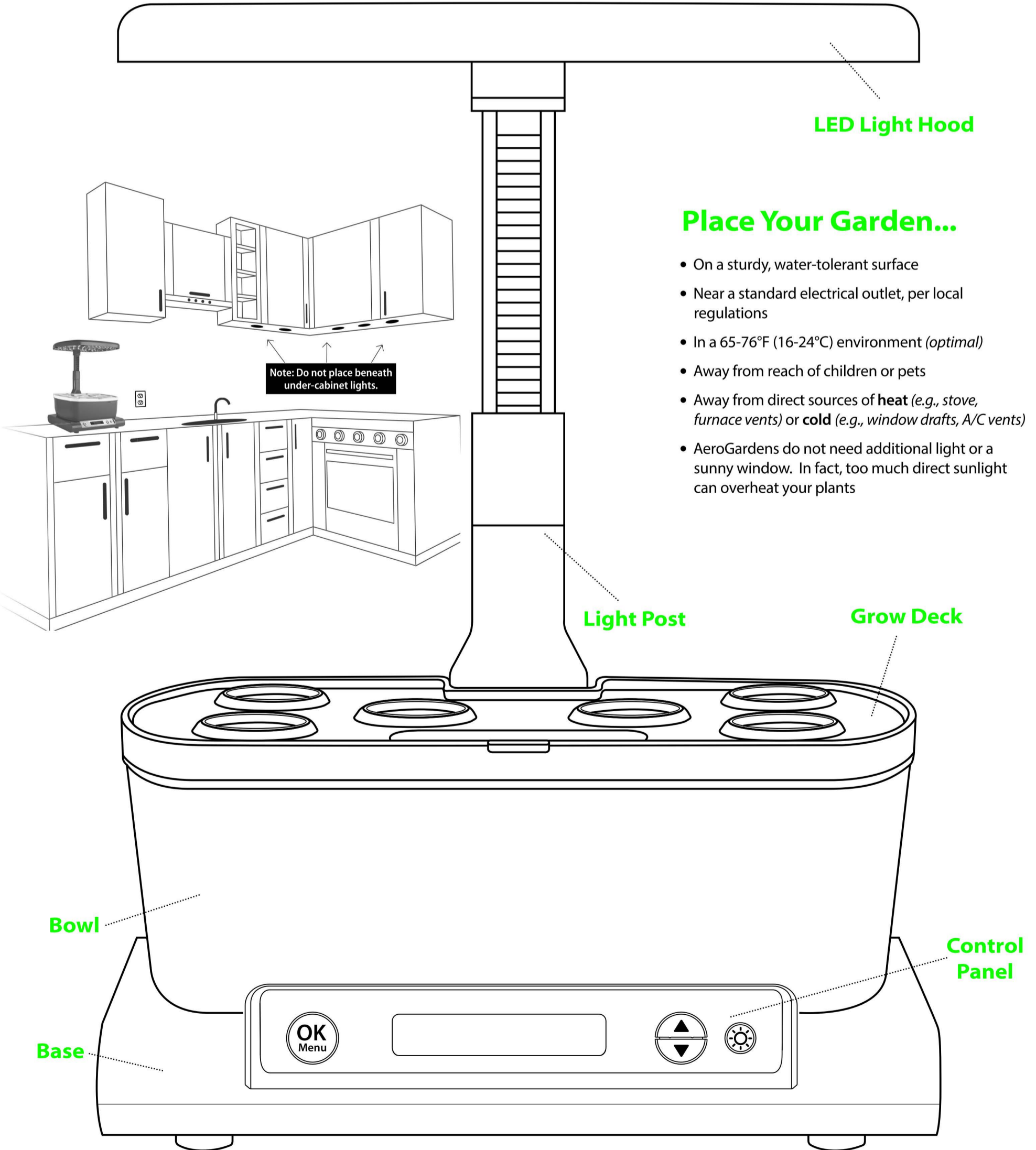


Bowl & Grow Deck



Seed Pod Kit

Order extra Seed Pod Kits and Accessories at www.aerogarden.com



LED Light Hood

Place Your Garden...

- On a sturdy, water-tolerant surface
- Near a standard electrical outlet, per local regulations
- In a 65-76°F (16-24°C) environment (optimal)
- Away from reach of children or pets
- Away from direct sources of heat (e.g., stove, furnace vents) or cold (e.g., window drafts, A/C vents)
- AeroGardens do not need additional light or a sunny window. In fact, too much direct sunlight can overheat your plants

Light Post

Grow Deck

Bowl

Base

Control Panel

- Front View -

