

Ethernet or junction box mount

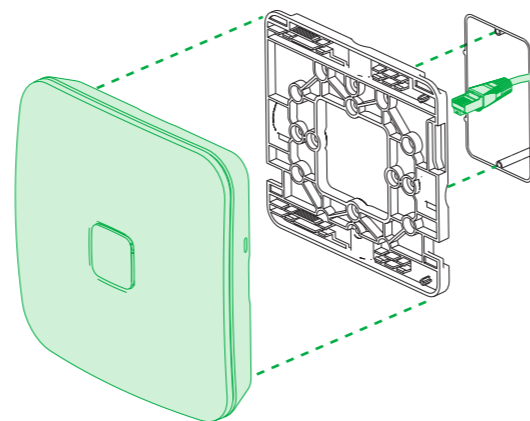
This access point can be mounted to any US or European-style junction box for secure installations in hotel and resort guest rooms, dorms, care facilities and more.

Attach the universal mounting plate with the smooth side against the wall to a junction box using the designated screw holes. Connect the small Ethernet cable (included) to the female connection in the wall, then pull it through the mounting plate and plug into Ethernet 1. Connect any pass-through device to Ethernet 2 and position the cable in the bottom channel of the access point. Next, place the access point over the mounting plate and slide down until it locks into place.

To unlock, insert a small, flat screwdriver into the hole on the side of the access point. Slide the access point until it disengages from the mounting plate.

Note: The pass-through port (Ethernet 2) is data only. No power is passed through the second port.

▶ openmesh.com/a-ethernet



Outdoor mount

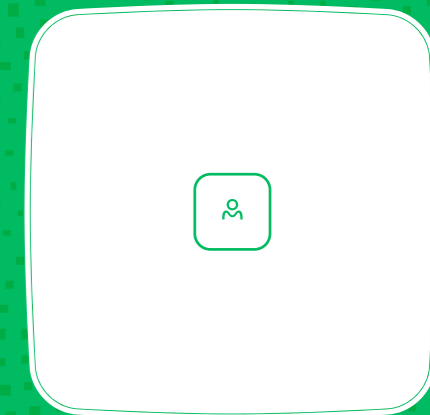
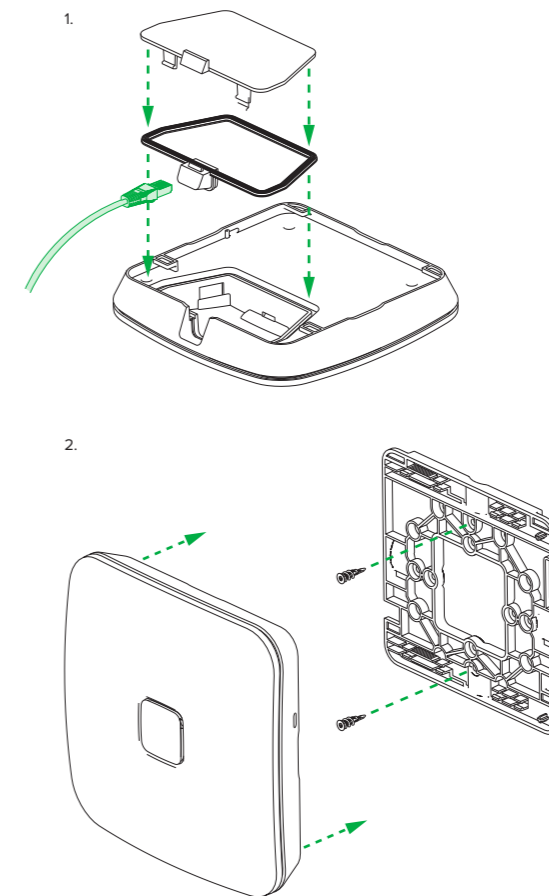
This access point can be configured as an outdoor model and mounted to any wall or pole. This configuration protects against the sun, rain and dust.

Attach the universal mounting plate to any outdoor wall or pole using screws or zip ties (not included). The small tabs should be at the top of the plate so the cable exits through the bottom of the access point.

Open the slit in the side of the rubber gasket and place the Ethernet cable through the hole. Plug the cable into Ethernet 1. Place the rubber gasket into the channel surrounding the ports on the access point. Place the rear cover on the access point and snap into place. Finally, place the access point over the mounting plate and slide down until it locks into place.

To unlock, insert a small, flat screwdriver into the hole on the side of the access point. Slide the access point until it disengages from the mounting plate.

▶ openmesh.com/a-outdoor



Cloud management

1. Download the CloudTrax mobile app for iOS or Android, or sign up at cloudtrax.com. (It's included with this access point.)
2. Follow the prompts to verify your account and create your first network. If you already have a network, create a new one by navigating to **Network → Create new network**.
3. Follow the prompts to add your first access point. If you're adding this access point to an existing network:

In the CloudTrax mobile app: select **Add Access Point** from the top menu and scan the QR code on the bottom of the access point.

On cloudtrax.com: navigate to **Manage → Access Points → Add New** and enter the MAC address. Use the drop-down arrow to enter multiple MAC addresses at once or upload a CSV file.

Repeat this process to add as many access points as required.

4. Set your configuration. Once your access point has power and Internet, CloudTrax will configure the access point and start reporting status within a few minutes.

Physical installation

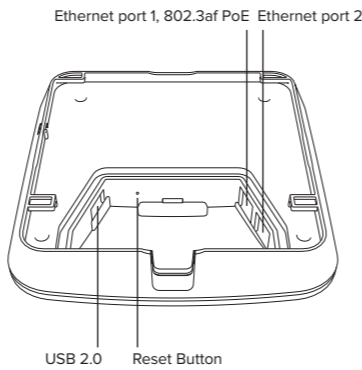
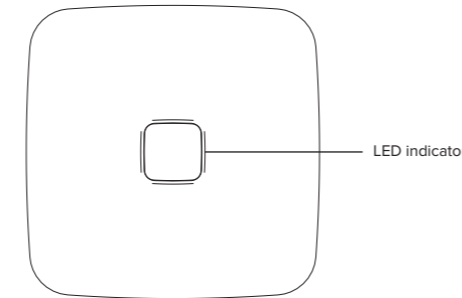
This access point is designed to be installed virtually anywhere, indoors and out. Regardless of how you mount this access point, keep the following in mind:

- This access point requires 802.3af PoE input. Connect to an 802.3af-compatible PoE switch or PoE injector.
- Place the access point in the center of the room and away from any metallic surfaces.
- This access point radiates signal primarily to the front and sides. This access point will only provide limited coverage directly behind it.
- Do not place heavy objects on the access point.
- Install the access point in an area free from strong electromagnetic sources.
- Check the Ethernet cables to ensure they are fully secured to both the access point and PoE injector or switch.
- Do not install this access point in plenum spaces. Use the ceiling mount instead.

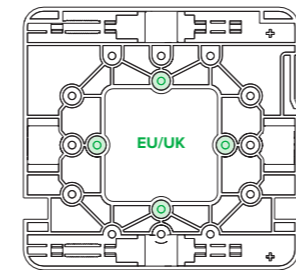
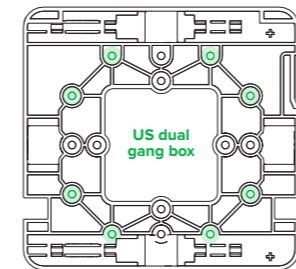
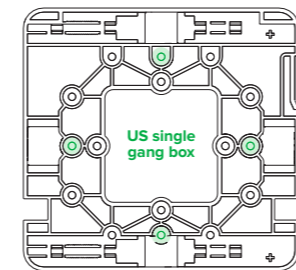
Support and resources

Visit help.cloudtrax.com for additional resources, video guides and to contact technical support.

Access point overview



Mounting bracket overview

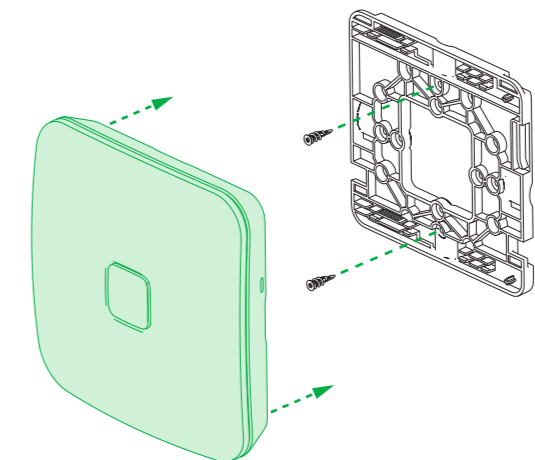


Wall or solid ceiling mount

Attach the universal mounting plate to any solid surface with the smooth side against the wall (screws are not included). If the Ethernet cable is in the wall or ceiling, pull it through the mounting plate; if the cable is outside the wall or ceiling, place it in the cable channel. Plug the Ethernet cable into Ethernet 1. Next, place the access point over the mounting plate and slide down until it locks into place.

To unlock, insert a small, flat screwdriver into the hole on the side of the access point. Slide the access point until it disengages from the mounting plate.

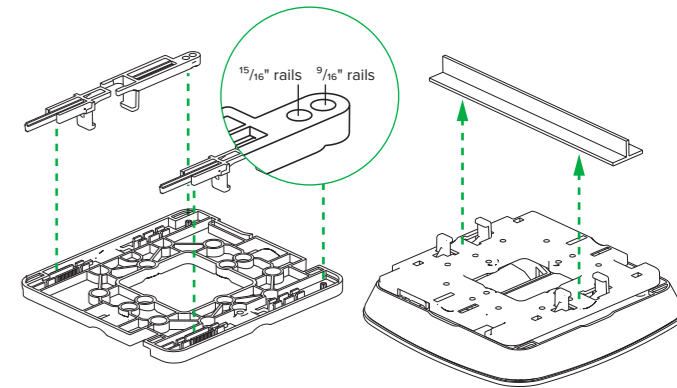
▶ openmesh.com/a-wall



T-rail ceiling mount

Attach the fixed t-rail clips to the back of the universal mounting plate by pushing the top of the clip through the plate and securing the bottom of the clip to the mounting peg: use the narrow peg hole for $\frac{9}{16}$ " t-rails and the wider peg hole for $\frac{15}{16}$ " t-rails. Attach the adjustable t-rail clips to the mounting plate by pushing the top of the clip through the plate and snapping the bottom of the clip into the channel. Pull the Ethernet cable through the center of the mounting plate and plug into Ethernet 1. Next, place the access point over the mounting plate and slide until it locks into place. Clip the cable channel cover in place. Finally, attach the access point to the ceiling rail by placing the fixed clip against the rail and sliding the adjustable clips until secure.

▶ openmesh.com/a-ceiling



Continued on reverse side