



# WBR9200 Cable/DSL Wireless Router With 4-port 10/100 Switch



- \* Please remove any ADSL USB Modem Driver or dial-up software and disable the firewall. As they may cause connection problem.
- \* This quick installation is meant to help you to install the product quickly and easily. For further information, please refer to the User Manual

## ADD-WBR9200 Quick Installation Guide

### Package Contents

- One Wireless G Broadband Router
- One Ethernet Cable
- One Quick Installation Guide
- One Power Adapter
- One ADD-WBR9200 CD-ROM with User's Manual



LED	Light Status	Description
Power	On	Power on
	Off	Power off / no power
Internet	On	Connection to the Broadband Modem attached to the WAN (Internet) port is established.
	Off	No connection to the Broadband Modem.
	Flashing	Data is being transmitted or received via the WAN port.
WLAN	On	Wireless connection available; Wireless Access Point is ready for use.
	Off	No Wireless connection available.
	Flashing	Data is being transmitted or received via the Wireless access point. Data includes "network traffic" as well as user data.
LAN Activity (1,2,3,4)	On	Corresponding LAN (hub) port is active.
	Off	No active connection on the corresponding LAN (hub) port.
	Flashing	Data is being transmitted or received via the corresponding LAN (hub) port.

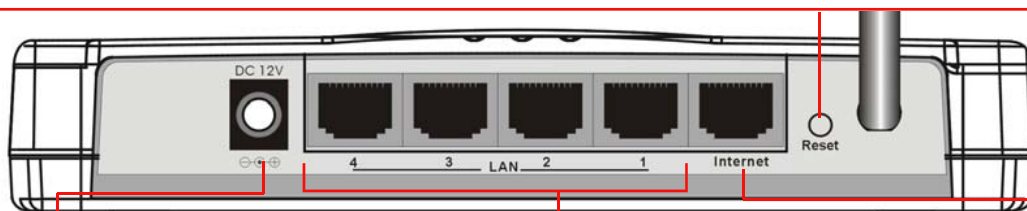
### Reset Button

This button has two (2) functions:

- Reboot. When pressed within 3~5 seconds, the power LED lights amber then released, the Wireless Router will reboot (restart).
- Clear All Data. This button can also be used to clear ALL data and restore ALL settings to the factory default values.

To Clear All Data and restore the factory default values:

1. After Power On.
2. Hold the Reset Button down.
3. Keep holding the Reset Button more than 5 seconds, until the Amber LED has flashed.
4. Release the Reset Button. The Wireless Router is now using the factory default values.



### Power port

Connect the supplied power adapter here. **(Warning: Only use the power adapter is provided from this package, use other power adapter may cause hardware damage.)**

### 10/100BaseT LAN port

Use standard LAN cables (RJ45 connectors) to connect your PCs to these ports. If required, any port can be connected to another hub. Any LAN port will automatically function as an "Uplink" port when necessary.

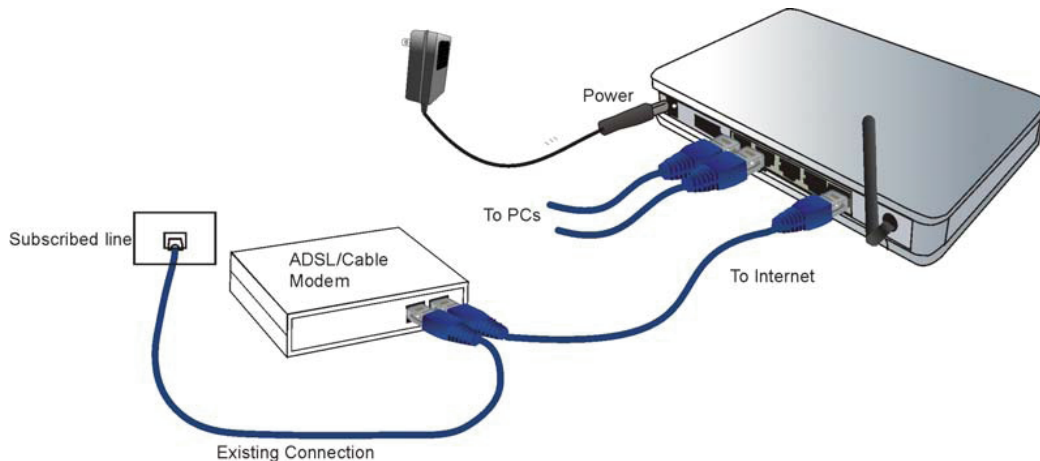
### Internet port (10/100BaseT)

Connect the DSL or Cable Modem here. If your modem came with a cable, use the supplied cable. Otherwise, use a standard LAN cable.

# Step1: Installation

## Requirements

- Network cables. Use standard 10/100BaseT network (UTP) cables with RJ45 connectors.
- TCP/IP protocol must be installed on all PCs.
- For Internet Access, an Internet Access account with an ISP, and either of a DSL or Cable modem (for WAN port usage)
- To use the Wireless Access Point, all Wireless devices must be compliant with the IEEE802.11b or IEEE802.11g specifications.



# Step2: Procedure

## 1. Choose an Installation Site

Select a suitable place on the network to install the Wireless Router. Ensure the Wireless Router and the DSL/Cable modem are powered OFF.

## 2. Connect LAN Cables

Use standard LAN cables to connect PCs to the Switching Hub ports on the Wireless Router. Both 10BaseT and 100BaseT connections can be used simultaneously.

If required, connect any port to a normal port on another Hub, using a standard LAN cable. Any LAN port on the Wireless Router will automatically function as an "Uplink" port when required.

## 3. Connect WAN Cable

Connect the DSL or Cable modem to the WAN port on the Wireless Router. Use the cable supplied with your DSL/Cable modem. If no cable was supplied, use a standard cable.

## 4. Power Up

- Power on the Cable or DSL modem.
- Connect the supplied power adapter to the Wireless Router and power up. Use only the power adapter provided. Using a different one may cause hardware damage

## 5. Check the LEDs

- The Power LED should be ON.
- The Status LED should flash, then turn Off. If it stays on, there is a hardware error.
- For each LAN (PC) connection, the LAN Link/Act LED should be ON (provided the PC is also ON.)
- The WAN LED should be ON.
- The WLAN LED should be ON

## 6. Turn on your PC.

### Notes:

For Windows 98/ME/Macintosh

Please refer to the user's Manual found on the CD.

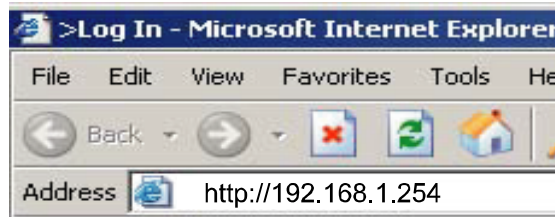
For Windows 2000&XP

- Click Start, Click Control Panel Network and Internet Connections, (Right-click on) Local Area Connection Properties.
- Make sure the box next to Internet Protocol (TCP/IP) is checked. Click the Internet Protocol (TCP/IP) and Click the Properties button.
- Select "Obtain an IP address automatically". Select "Obtain DNS server address automatically". Then click OK to complete the PC configuration.
- Restart your computer.

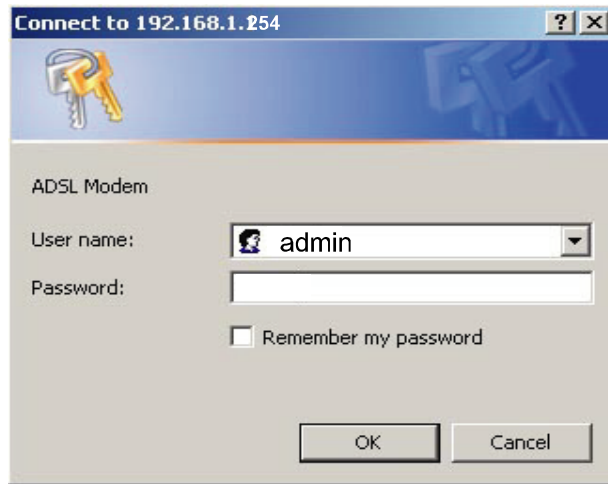
7. For Windows 2000 & XP users, your computer should obtain an IP Address automatically from ADD-WBR9200's DHCP Server, after you have done the above steps and restarted your computer.

# Step3. Router Setup

1. Start your WEB browser. In the Address box, enter the following: 192.168.1.254



If the system request a login username and password, please use “admin” as default username and leave the password blank and click “OK” to login.



The Setup Wizard provides primary configuration of this device, you may enter each screen to change the default settings.

