



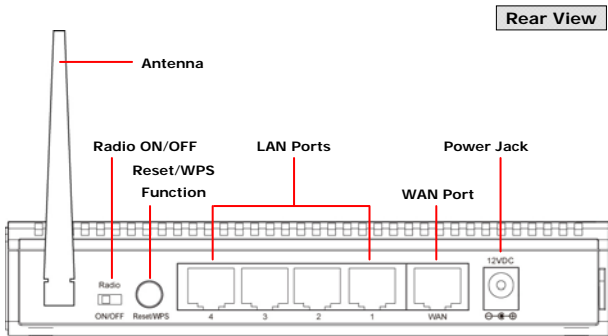
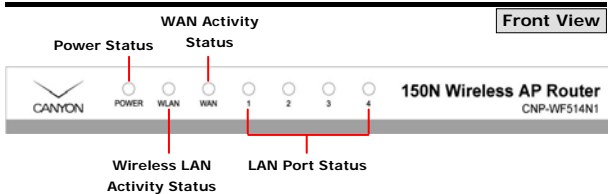
150N Wireless AP Router

Article: CNP-WF514N1 Quick Guide v1.0

Package Contents

1. **CNP-WF514N1** Main Unit
2. Power Adapter
3. Documentation CD
4. Standing Base
5. Quick Guide
6. Warranty Card

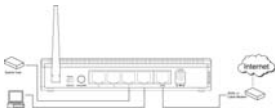
Hardware Overview



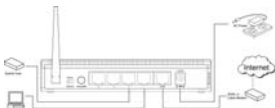
Getting Started

Connecting to Device

1. Begin by searching for an appropriate location to setup device. Please keep in mind to keep device in the center of working area as the signal strength and data transfer rate diminishes with distance.
2. It is also recommended to place device at a higher position to ensure minimum obstacle interference.
3. Make sure that all network devices are powered off, including the device itself, PCs, switches, cable or DSL modem, and others.



4. Connect the modem to WAN port of the device by one CAT 5 Ethernet cable.
5. Connect PC(s) or other network enabled device(s) with LAN ports (1/2/3/4) of the device by CAT 5 Ethernet cables.
6. Connect power adapter to wall socket and device to power on the cable or DSL modem.
7. POWER and WAN indicator should light up steadily if connected properly.



Internet Configuration Wizard

The default network address of the device is set as 192.168.2.1. Please configure IP address of host PC at 192.168.2.XXX where XXX is a number between 002 and 254. The subnet mask should be 255.255.255.0. Please follow below steps to enter web browser management mode.

1. Start Internet QuickSetup Configuration



1. Open a browser (**Internet Explorer browser only**) and type in "192.168.2.1" at the address bar and press Enter.
2. Type in "admin" at the **User Name** text box and "1234" at the **Password** text box.



3. The web management home page will be displayed.
4. Click on **QuickSetup** Button to start Internet connection setup.
5. Click on **Home** option on top of the page to return to this page at any time during setup operation.

2. Time Zone Setup



1. Upon entering **QuickSetup** option, please select an appropriate time zone.
2. Type in **Time Server IP Address** if available.
3. Enable **Daylight Savings** function if necessary and input required date parameters.
4. Click on **?** mark next to Time Zone to display more information.
5. Click on **Next** button to continue Internet configuration setup.

3. WAN Type Setup



- 1 Click on 1 of 6 Broadband connection types instructed by ISP or network administrator.
- 2 Click on Back button to return to previous page.
- 3 Please refer to below procedures to configure different connection types.

3.1 Cable Modem Connection



- Type in **Host Name** and **MAC Address** if required by ISP provider.
- Click on **OK** button to continue or **BACK** button to return to previous page.

3.2 Fixed-IP xDSL Connection



- Type in **IP Address**, **Subnet Mask**, and **Default Gateway** obtained from ISP provider.
- Type in **DNS Address** if required by ISP provider.
- Click on **OK** button to continue or **BACK** button to return to previous page.

3.3 PPPoE xDSL Connection



- Type in **User Name** and **Password** obtained from ISP provider.
- Type in **Service Name** and **MTU** value if required by ISP provider.
- Select a **Connection Type**

(**Continuous/Connect On-Demand/Manual**) from the drop down text box.

- Type in **Idle Time Out** value if necessary to automatically disconnect Internet connection.
- Click on **OK** button to continue or **BACK** button to return to previous page.

3.4 PPTP xDSL Connection

The image shows two screenshots of a configuration interface. The top screenshot is titled "WAN Interface Settings" and includes a checkbox for "Obtain an IP Address Automatically". Below this are fields for "User Name", "MAC Address" (with a "Clone MAC" button), and a section for "Use The Following IP Address" with fields for "IP Address", "Subnet Mask", and "Default Gateway". The bottom screenshot is titled "PPTP Settings" and includes fields for "User Name", "Password", "PPTP Gateway", "Connection ID" (with an "(Optional)" note), "MTU" (with a "(0-1472) (1452)" note), "ISRAELI" (with a note "Enable For BEZEQ network in ISRAEL, see only"), "Connection Type" (with a dropdown menu showing "Continuous" selected), and "Idle Time Out" (with a "(0-1440 Minutes)" note). At the bottom of the PPTP settings are "BACK" and "OK" buttons.

WAN Interface Settings:

- Select methods of obtaining IP address (**automatic/manual**). Type in required information in their corresponding text boxes.

PPTP Settings:

- Type in **User Name**, **Password** and **PPTP Gateway** obtained from ISP provider.
- Type in **Connection ID** and **MTU** value if required by ISP provider.
- Check on **BEZEQ-ISRAEL** option to connect to BEZEQ network in Israel.
- Select a **Connection Type** (**Continuous/Connect On-Demand/Manual**) from the drop down text box.
- Type in **Idle Time Out** value if necessary to automatically disconnect Internet

connection.

- Click on **OK** button to continue or **BACK** button to return to previous page.

3.5 L2TP xDSL Connection

The image shows two screenshots of a configuration interface. The top screenshot is titled "WAN Interface Settings" and includes options for "Obtain an IP Address Automatically" (with fields for User Name and MAC Address), "Use The Following IP Address" (with fields for IP Address, Subnet Mask, and Default Gateway), and "L2TP Settings" (with fields for User Name, Password, L2TP Gateway, MTU, Connection Type, and Idle Time Out). The bottom screenshot is a zoomed-in view of the "L2TP Settings" section, showing the "Connection Type" dropdown menu set to "Continuous" and the "Idle Time Out" field set to "15 0000 Minutes".

WAN Interface Settings:

- Select methods of obtaining IP address (**automatic/manual**). Type in required information in their corresponding text boxes.

L2TP Settings:

- Type in **User Name**, **Password** and **L2TP Gateway** obtained from ISP provider.
- Type in **MTU** value if required by ISP provider.
- Select a **Connection Type (Continuous/Connect On-Demand/Manual)** from the drop down text box.
- Type in **Idle Time Out** value if necessary to automatically disconnect Internet connection.
- Click on **OK** button to continue or **BACK** button to return to previous page.

3.6 Telstra Big Pond Connection

The image shows a configuration screen for a Telstra Big Pond connection. It includes fields for "User Name" and "Password", a checkbox for "Assign login server manually", and a field for "Server IP Address". There are "BACK" and "OK" buttons at the bottom.

- Type in **User Name** and **Password** obtained from ISP provider.
- Check on **Assign login server manually** option and

type in **Server IP Address** if necessary.

- Click on **OK** button to continue or **BACK** button to return to previous page.

4. Setup Completed



- 1 Click on **Continue** button to continue configuring other setup options or **Apply** button to update configuration.
- 2 Click on OK button to confirm system reboot.

NOTE:

The device will be rebooted once **Apply** button is clicked on.

Please refer to full manual on CD for more detailed operation information.