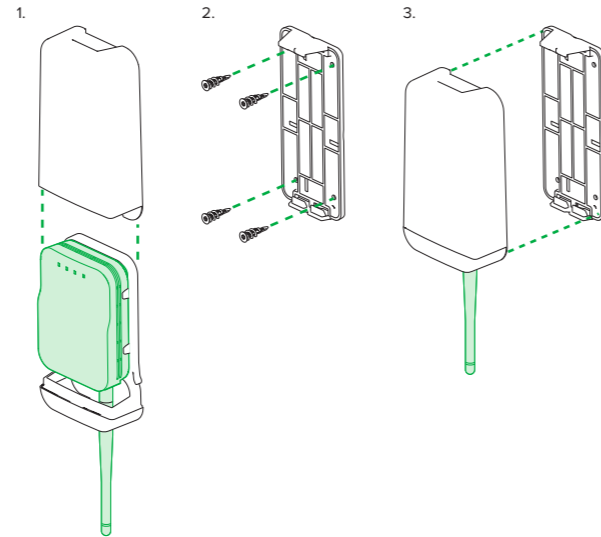
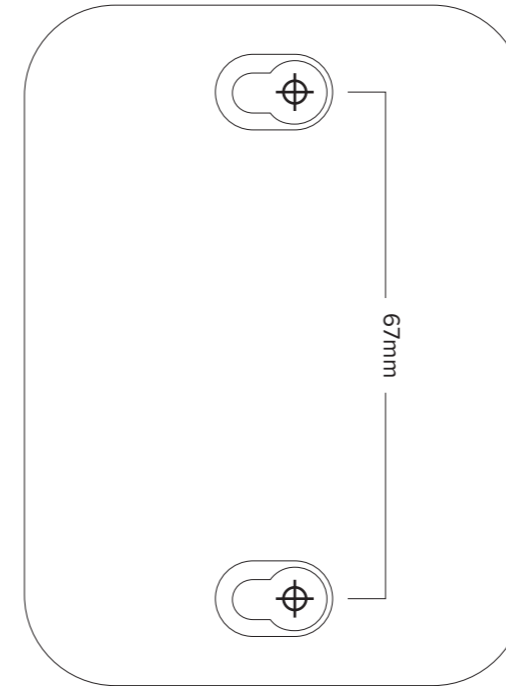


Outdoor mount

Convert this access point to an outdoor model, protected from the sun and rain, and mount to any wall or pole using screws or included zip ties. Order part ODHOM1P.



Mounting template



Cloud management

1. Download the CloudTrax mobile app for iOS or Android, or sign up at cloudtrax.com. *(It's included with this access point.)*
2. Follow the prompts to verify your account and create your first network. If you already have a network, create a new one by navigating to **Network → Create new network**.
3. Follow the prompts to add your first access point. If you're adding this access point to an existing network:

In the CloudTrax mobile app: select **Add Access Point** from the top menu and scan the QR code on the bottom of the access point.

On cloudtrax.com: navigate to **Manage → Access Points → Add New** and enter the MAC address. Use the drop-down arrow to enter multiple MAC addresses at once or upload a CSV file.

Repeat this process to add as many access points as required.

4. Set your configuration. Once your access point has power and Internet, CloudTrax will configure the access point and start reporting status within a few minutes.

Physical installation

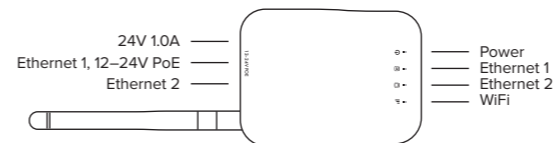
This access point is modular and can be placed on a desk, mounted on a wall, or, with an optional enclosure, mounted on a ceiling, standard US power outlet (as a mesh repeater), Ethernet wall jack, or on an outdoor wall or pole. Regardless of how you mount this access point, keep the following in mind:

- Place the access point in the center of the room and away from any metallic surfaces.
- This access point radiates signal in all directions equally, so position it however you like.
- Do not place heavy objects on the access point.
- The access point prefers a cool, dry environment. Don't place the access point in direct sunlight unless you're using the outdoor enclosure.
- Install the access point in an area free from strong electromagnetic sources.
- Check the power cord and Ethernet cables to ensure they are fully secured to both the access point and wall outlet or switch.
- Do not install this access point in plenum spaces. Use the ceiling enclosure instead.

Support and resources

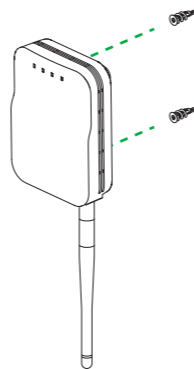
Visit help.cloudtrax.com for additional resources, video guides and to contact technical support.

Access point overview



Wall mount

Mount this access point directly to the wall by screwing two pan head Phillips wood screws, 3.5 × 20 mm (diameter × length, European) or #6 type screw, 1" long (US) into a wall using the positions marked on the back of this guide. Leave 3/16" (0.5 cm) of each screw exposed. Slide the access point over the screws to secure it to the wall.



Wall plug mount

Securely attach to the center or bottom screw of a North American standard and decora-style wall outlet and hide the access point and power supply inside. Ideal when using this access point as a power-only mesh repeater. Order part IDWHOM1P (includes power supply).

